

FEATURES & SPECIFICATION

INTENDED USE

Support bracket for pendant mounting the DeSoto small housing. Not available for large housing units.

CONSTRUCTION

16 ga. galvanized sheet steel.

3.8" x 4" x 1.45"

Includes one pendant mount bracket and two 1/2" slotted hex head screws.

Conduit and canopy are not provided.

Note: Specifications subject to change without notice.

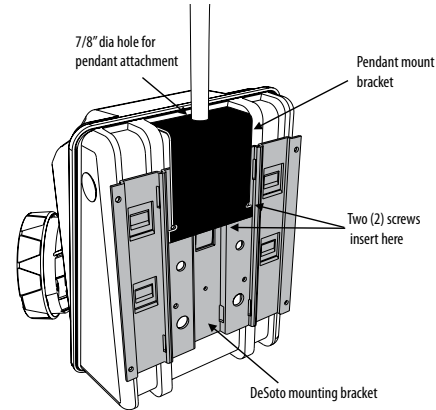
Actual performance may differ as a result of end-user environment and application.

Catalog Number
Notes
Type

Unit Accessories

ELA DM802 PM

Pendant Mount Kit



ORDERING INFORMATION

Example: ELA DM802 PM

ELA DM802 PM

Series

ELA DM802 PM Pendant mount kit for DeSoto small housing: DM802618/654/1254/12100.

FEATURES & SPECIFICATIONS

Unit Accessories

INTENDED USE

Battery support brackets for use when ceiling mounting the DeSoto small housing unit. Not available for large housing units.

CONSTRUCTION

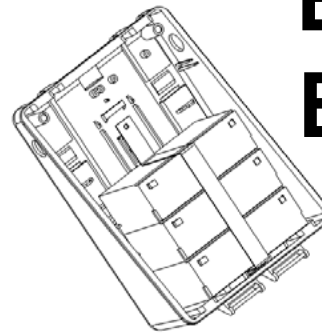
20 ga. galvanized sheet steel

Includes one ceiling-mount bracket and one Phillips head screw.

Note: Must be used for ceiling-mount applications.

Note: Specifications subject to change without notice.

Actual performance may differ as a result of end-user environment and application.



ELA DM802 CM

ELA DM90X CM

Ceiling Mount Kits

ORDERING INFORMATION

Lead times will vary depending on options selected. Consult with your sales representative.

Example: ELA DM802 CM1

Series

UL Listed products

ELA DM802 CM1	Ceiling mount kit for DM802618
ELA DM802 CM2	Ceiling mount kit for DM802654, DM8021254, DM90X654, DM90X1254
ELA DM90X CM2	Ceiling mount kit for DM90X654, DM90X1254

ELA DM PM CM WG Unit Accessories

FEATURES & SPECIFICATIONS

INTENDED USE

Provides protection from vandalism for units and remote heads.

CONSTRUCTION

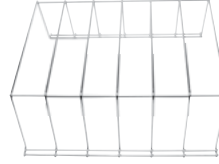
9-gauge steel rod construction.

Mounts securely to wall with screws (1/4" x 1-1/2").

Note: Specifications subject to change without notice.

Actual performance may differ as a result of end-user environment and application.

Catalog Number
Notes
Type



ELA WG1

EXIT and Unit Accessories

ELA WG

WIREGUARD

COMPATIBILITY AND ORDERING INFORMATION

	ELA WG1 13 3/4"H x 15 1/4"W x 6"D	ELA WG2 14-3/8"H x 15-1/8"W x 8-5/8"D	ELA WG3 13 3/4"H x 30 5/8"W x 6"D	ELA WG2M 15"H x 21-1/4"W x 12"D	ELA WG4/8 22-15/16"H x 22-1/8"W x 10"D	ELA WGEXT 11"H x 18"W x 11"D	ELA WGEXE 11"H x 15"W x 4-3/4"D	ELA WGLG 20"H x 21"W x 18"D
MEX - Back Mount	■							
MEX - Top Mount						■		
MEX - End Mount							■	
DM802 18W-100W				■				
DM802 150W-450W								■
DM90X					■			
All Two Remote Heads		■						
All Single Remote Heads		■						
CZ11 LED	■							
QM LED			■	■				
CZA11LT	■							



ELA WGEXE



ELA WGLG

Shipping weight:

ELA WG1:	2.8 lbs (1.27 kgs)
ELA WG2:	2.8 lbs (1.27 kgs)
ELA WG2M:	2.0 lbs (0.91 kg)
ELA WG4/8:	6.1 lbs (2.77 kgs)
ELA WGEXT:	8.0 lbs (3.63 kg)
ELA WGEXE:	2.0 lbs (0.91 kg)
ELA WGLG:	8.0 lbs (3.63 kg)