

**READ AND FOLLOW ALL SAFETY INSTRUCTIONS!
SAVE THESE INSTRUCTIONS AND DELIVER TO OWNER AFTER INSTALLATION**

- To reduce the risk of death, personal injury or property damage from fire, electric shock, falling parts, cuts/abrasions, and other hazards please read all warnings and instructions included with and on the fixture box and all fixture labels.
- Before installing, servicing, or performing routine maintenance upon this equipment, follow these general precautions.
- Installation and service of luminaires should be performed by a **qualified licensed electrician**.
- Maintenance of the luminaires should be performed by person(s) familiar with the luminaires' construction and operation and any hazards involved. Regular fixture maintenance programs are recommended.
- It will occasionally be necessary to clean the outside of the refractor/lens. Frequency of cleaning will depend on ambient dirt level and minimum light output which is acceptable to user. Refractor/lens should be washed in a solution of warm water and any mild, non-abrasive household detergent, rinsed with clean water and wiped dry. Should optical assembly become dirty on the inside, wipe refractor/lens and clean in above manner, replacing damaged gaskets as necessary.
- **DO NOT INSTALL DAMAGED PRODUCT!** This luminaire has been properly packed so that no parts should have been damaged during transit. Inspect to confirm. Any part damaged or broken during or after assembly should be replaced.
- Recycle: For information on how to recycle LED electronic products, please visit www.epa.gov.
- These instructions do not purport to cover all details or variations in equipment nor to provide every possible contingency to meet in connection with installation, operation, or maintenance. Should further information be desired or should particular problems arise which are not covered sufficiently for the purchaser's or owner's purposes, this matter should be referred to Acuity Brands Lighting, Inc.



**WARNING
RISK OF ELECTRIC SHOCK**

- ✓ Disconnect or turn off power before installation or servicing.
- ✓ Verify that supply voltage is correct by comparing it with the luminaire label information.
- ✓ Make all electrical and grounded connections in accordance with the National Electrical Code (NEC) and any applicable local code requirements.
- ✓ All wiring connections should be capped with UL approved recognized wire connectors.



**WARNING
RISK OF BURN**

- ✓ Allow lamp/fixture to cool before handling. Do not touch enclosure or light source.
- ✓ Follow all manufacturer's warnings, recommendations and restrictions for: driver type, burning position, mounting locations/methods, replacement and recycling.



**CAUTION
RISK OF INJURY**

- ✓ Wear gloves and safety glasses at all times when removing luminaire from carton, installing, servicing or performing maintenance.
- ✓ Avoid direct eye exposure to the light source while it is on.



**CAUTION
RISK OF FIRE**

- ✓ Keep combustible and other materials that can burn, away from lamp/lens.
- ✓ Do not operate in close proximity to persons, combustible materials or substances affected by heat or drying.

LED IMPORTANT SAFETY INSTRUCTIONS



CAUTION: RISK OF PRODUCT DAMAGE

- ✓ Never connect components under load.
- ✓ Do not mount or support these fixtures in a manner that can cut the outer jacket or damage wire insulation.
- ✓ Unless individual product specifications deem otherwise: Never connect an LED product directly to a dimmer packs, occupancy sensors, timing devices, or other related control devices. LED fixtures must be powered directly off a switched circuit.
- ✓ Unless individual product specifications deem otherwise: Do not restrict fixture ventilation. Allow for some volume of airspace around fixture. Avoid covering LED fixtures with insulation, foam, or other material that will prevent convection or conduction cooling.
- ✓ Unless individual product specifications deem otherwise: Do not exceed fixtures maximum ambient temperature.
- ✓ Only use fixture in its intended location.
- ✓ Electrostatic Discharge (ESD): ESD can damage LED fixtures. Personal grounding equipment must be worn during all installation or servicing of the unit.
- ✓ Do not touch individual electrical components as this can cause ESD, shorten lamp life, or alter performance.
- ✓ Some components inside the fixture may not be serviceable. In the unlikely event your unit may require service, stop using the unit immediately and contact an ABL representative for assistance.
- ✓ Always read the fixtures complete installation instructions prior to installation for any additional fixture specific warnings.

Please see product specific installation instructions for additional warnings or any applicable FCC or other regulatory statements.

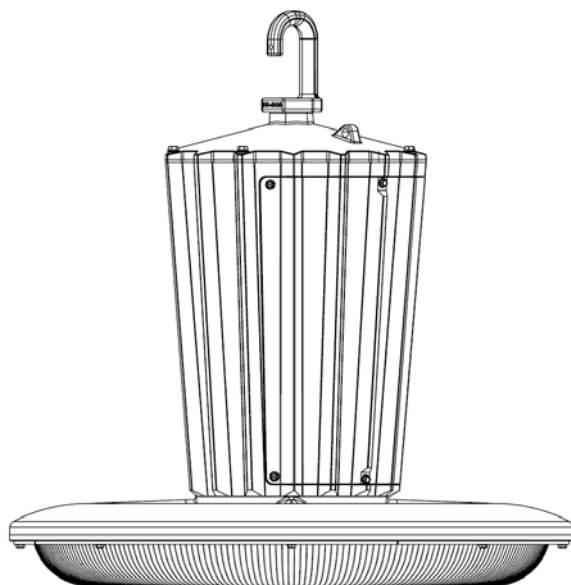
Failure to follow any of these instructions could void product warranties. For a complete listing of product Terms and Conditions, please visit www.acuitybrands.com.

Our Brands	Indoor/Outdoor	Indoor Lighting	Outdoor Lighting	Controls
	Lithonia Lighting	Gotham	American Electric Lighting	DARK TO LIGHT
	Carandini	Mark Architectural Lighting	Antique Street Lamps	Lighting Control & Design
	Holophane	Peerless	Hydrel	ROAM
	RELOC	Renaissance Lighting	Tersen	Sensor Switch
		Winona Lighting		Synergy

Acuity Brands Lighting, Inc. assumes no responsibility for claims arising out of improper or careless installation or handling of its products.

ABL LED General Warnings, Form No. 503.203

Figure 1



GR2694

1.0 Introduction

1.1 Product Description

The Vantage LED fixtures have been designed, tested, and certified in accordance with applicable UL and NSF standards depending on configuration. All configurations are suitable for use in wet locations.

1.2 Alternate Information Sources

Holophane
Field Service Department
P.O. Box 3004
Newark, OH 43058-3004
(740) 345-9631

2.0 Installation

2.1 Tools and Materials Required

TABLE 1. Installation Tools

DESCRIPTION	USE
5/16" socket	Hook Retainer Screw

TABLE 2. Maintenance Tools

DESCRIPTION	USE
3/8" socket	Serviceable Components
1/4" socket	Bracket Screws
5/16" socket	Hook Retainer Screw

2.2 Mounting with Pendant (see figures 3)

2.2.1 Use provided thread sealant. Apply sealant to the first four threads of 3/4" NPT entry on fixture.

2.2.2 Install fixture onto 3/4" NPT or NPS rigid conduit, minimum 6 turns until tight. Rigid conduit must be mounted to a suitable structure capable of supporting the full weight of the luminaire in accordance with local codes.

2.2.3 Tighten set screw to 25-35 in-lbs.

2.2.4 Remove (6) 10-24 screws from driver housing door (figure 5).

2.2.5 Make all wiring connections in accordance with all local electrical codes

2.2.6 Reinstall door and tighten screws down to 30 lbs. Start with center 2 screws (3/4" long) and then remaining 4 outer screws (1/2" long).

2.2.7 Energize power to fixture and check for proper operation

WARNING

FAILURE TO TIGHTEN SET SCREW COULD CAUSE FIXTURE TO FALL RESULTING IN INJURY, DEATH, OR SERIOUS PROPERTY DAMAGE.

AVERTISSEMENT

NE PAS SERRER CORRECTEMENT LA VIS DE RÉGLAGE PEUT PROVOQUER LA CHUTE DE LA FIXATION ET CAUSER DES BLESSURES, PROVOQUER LA MORT OU DE SÉRIEUX DOMMAGES MATÉRIELS.

2.3 Mounting with Hook (see figure 2)

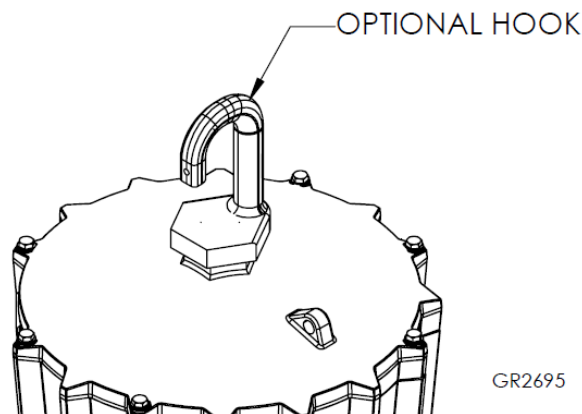
2.3.1 Hang the fixture on a hook or loop that is properly sized and attached to support the weight of the luminaire.

2.3.2 Tighten the retaining screw to 25-35 in-lbs.

2.3.3 Connect power cord/plug to supply power.

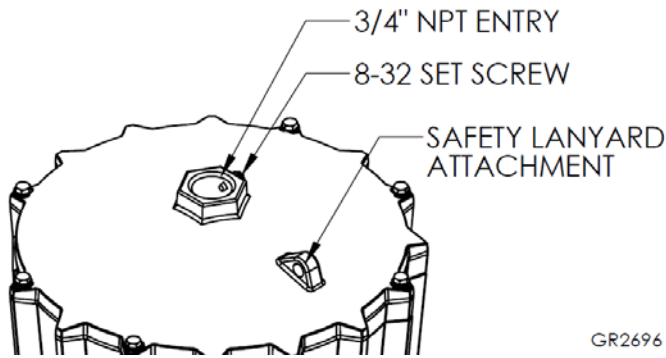
2.3.4 Energize power to the fixture and check for proper operation.

Figure 2



GR2695

Figure 3



2.4 Dimming Option (see figure 3)

2.4.1 Bring dimming leads into fixture through the 3/4 inch NPT opening on the fixture top cap via pendant mounting.

2.4.2 Connect dimming leads to the leads on the LED drivers matching gray and violet leads. These leads are accessible by removing the driver door. It is necessary to connect dimming leads with proper polarity. (+ Purple, – Gray)

2.5 Safety Lanyard Option (see figure 3)

2.5.1 Safety lanyard option comes attached to the top cap. Attach loose end to building structure leaving no more than three inches of slack. Leaving more slack will allow a longer free-fall, resulting in a larger impact load and possible structural failure.

Figure 4

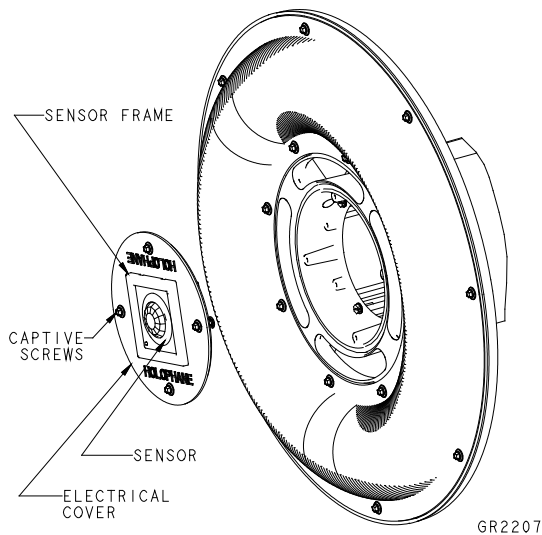
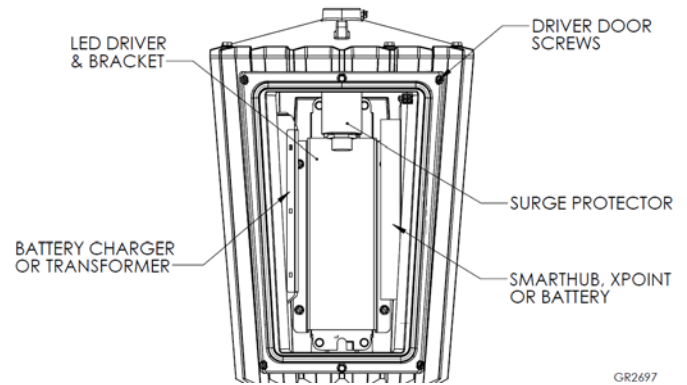


Figure 5



3.0 Maintenance

3.1 Electrical Component Replacement (Driver, Surge protector) (see and figure 5)

3.1.1 Disconnect power to the luminaire location before maintenance.

3.1.2 Remove fixture from its mount to avoid any contamination with your facility.

3.1.3 Loosen (6) driver door screws and remove door. Rubber pry bar may be used

3.1.4 Tag all leads before disconnecting.

3.1.5 Serviceable components are now accessible from the door of the driver housing.

3.1.6 Loosen screws attaching the component you are replacing and remove component from driver housing

3.1.7 Replace components using Holophane approved replacement parts and make required electrical connections.

3.1.8 Reassemble driver door to driver housing starting with center two screws and then outer four screws (see figure 5), torque each to 30 in-lbs.

3.1.9 Take special care to avoid pinching wires and ensure sealed joints are aligned to maintain IP rating.

3.1.10 Reconnect power.

3.2 Sensor Option Replacement (see figure 4)

3.2.1 Disconnect power to the luminaire location before maintenance.

3.2.2 Remove fixture from its mount to avoid any contamination with your facility.

3.2.3 Remove (4) screws to electrical cover.

3.2.4 Tag all leads before disconnecting.

3.2.5 Remove (4) screws in rear of sensor attaching it to the electrical cover

3.2.6 Replace components using Holophane approved replacement parts.

3.2.7 Reconnect electrical leads, reconnect sensor to cover

3.3 Optic Replacement (see figure 6)

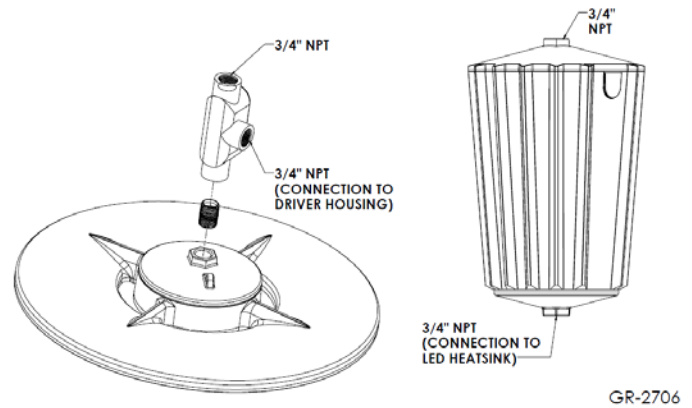
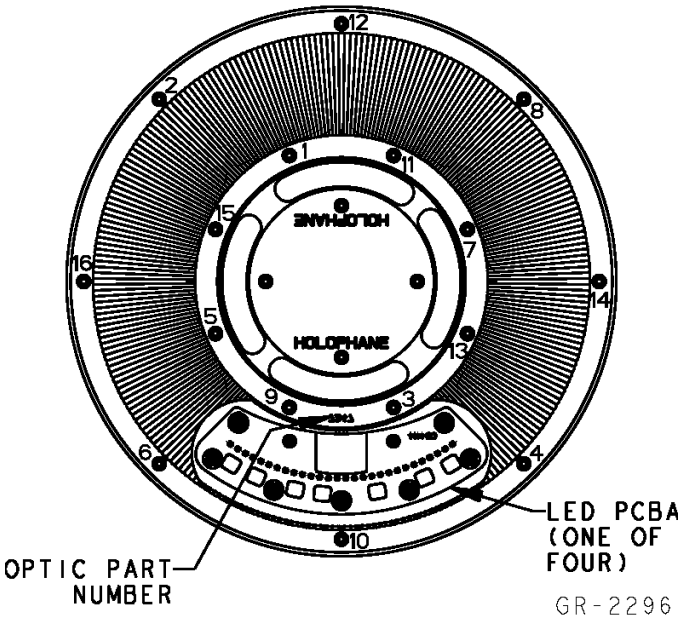
3.3.1 Align optic part number with center of any LED PCBA

3.3.2 Replace all (4) internal and (4) external compression rings. Ensure none of them overlap each other

FOLLOW CRITICAL NUMBERED ORIENTATION

3.3.2 Torque each screw to 30 in-lbs.

Figure 6



4.4 Using Figures 8 & 9, connect the driver output leads from the driver housing to the PCBA input leads of the LED heat sink.

4.4.1 For 12000, 15000, 18000, and 24000LM packages a 3-conductor connection must be made between the driver housing and LED heat sink

4.4.1.1 Using Figure 8, connect the driver housing blue wire to the LED heat sink blue wire pair, the driver housing red wire to the LED heat sink red wire pair, and the LED heat sink ground to the driver housing ground

4.4.2 For 28000 and 32000LM packages a 5-conductor connection must be made between the driver housing and LED heat sink

4.4.2.1 Using figure 9, connect the solid LED heat sink blue wire to one of the driver blue wires and connect the solid LED heat sink red to the same driver red wire. Connect the LED heat sink blue/white wire to the opposite driver blue wire and connect the LED heat sink red/white wire to the same driver red wire. Connect the LED heat sink ground to the driver housing ground.

4.0 Remote Mounting Option Installation – VL TR

4.1 Additional Tools and Materials Required

DESCRIPTION	USE
3 or 5 Cond Cord or Flex Conduit	LED Heat Sink – Driver Housing Connection
Philips Head Screw Driver	T-Condulet Cover

4.2 See section 2 and mount driver housing using the designated mounting method

4.2.1 LED Heat sink must be mounted using pendant and supplied T-condulet.

4.3 Connect driver housing to LED heat sink using either two 3/4"-14 NPT Cord grips and a NSF safe cord or flex conduit (may not meet NSF requirements).

4.3.1 Ensure a suitable pipe sealant is used to eliminate water intrusion.

4.3.2 Ensure connections are made to a minimum of 6-turns until tight.

Figure 7

WARNING

Wiring the PCBA/Drivers together incorrectly could lead to immediate fixture failure. Minimum wire ratings: 600V, 105C jacket, 16-18ga solid or stranded copper

ATTENTION

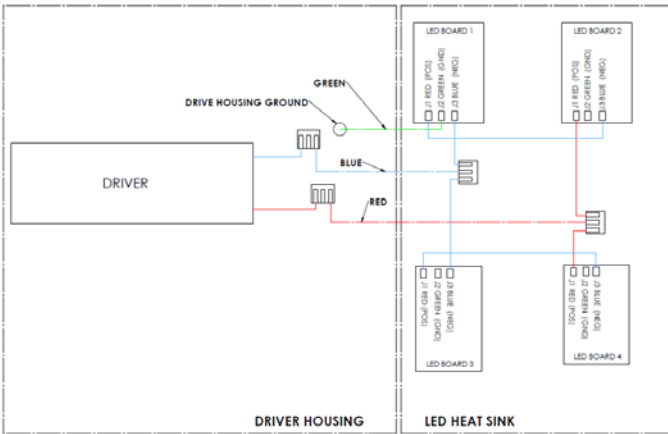
Câblage incorrect des pilotes PCBA / pilotes pourrait conduire à une défaillance immédiate du luminaire.

Calibres de fil minimum: 600V, 105C veste, 16-18ga cuivre massif ou échoué

4.5 Reseal T-condulet access plate with gasket.

4.5.1 Torque screws to 30 in-lbs.

Figure 8



5.0 Limited Warranty and Limitation of Liability
The Holophane limited warranty and limitation of liability is published in the "Terms and Conditions" document at <http://www.holophane.com/>.

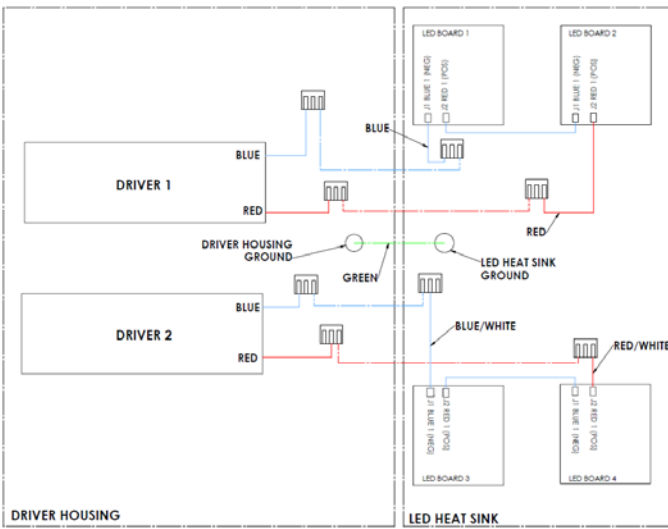


Acuity Brands Lighting, Inc.
3825 Columbus Rd., Granville, OH 43023

IM-354-E 03/18 ©2018 Acuity Brands Lighting, Inc.
All Rights Reserved.

Visit our web site at www.holophane.com

Figure 9



5.0 Blue Tooth Sensor Commissioning

5.1 Please refer to *Integrated Haleon Sensor Quick-Start Guide (912-00035-001)*. Additional information can be found at:

<https://www.acuitybrands.com/products/detail/754371/Sensor-Switch/Haleon/>