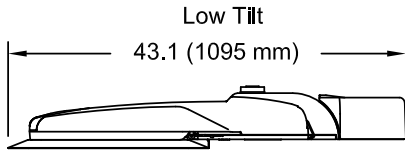
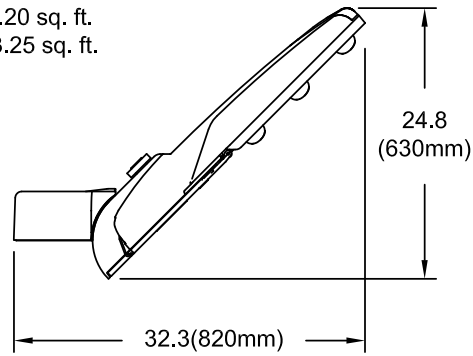


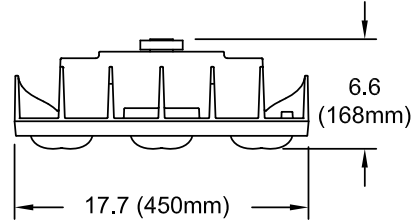
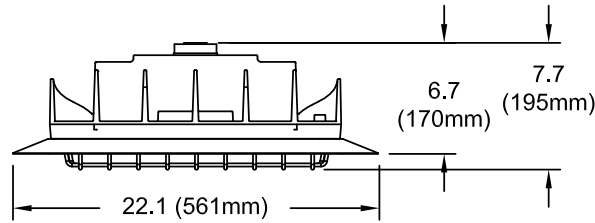
Weight = 50 lbs
 EPA Low Tilt = 1.20 sq. ft.
 EPA High Tilt = 3.25 sq. ft.



Uplight Skirt

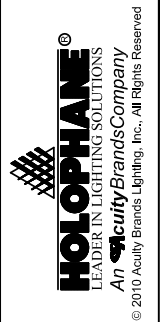


High Tilt



MONGOOSE LED™
LED Roadway Lighting

Infrastructure
 Outdoor



MGLED

Series Code	Number of LED'S	Color Temperature	Voltage
	4 = 4 COB	3K = 3000 Kelvin	AS = 120V-277V
	5 = 5 COB	4K = 4000 Kelvin	AH = 347V-480V
	6 = 6 COB	5K = 5000 Kelvin	
	7 = 7 COB		
	8 = 8 COB		
	9 = 9 COB		

Optics	Tilt Range	Mounting	Color
N = Narrow Roadway	H = High (27° - 45°)	V = Vertical Tenon	G = Gray
M = Medium Roadway	L = Low (0° - 18°)	H = Horizontal Arm	H = Graphite
W = Wide Roadway		A = Architectural	K = Black
F = Forward Throw (Type 4)			N = Green
A = Area (Type 5)			W = White
			Z = Bronze

ORDERING INFORMATION:

- Standard Options**
- NL = NEMA Label
 - P3 = 3 PIN NEMA Photocontrol Receptacle
 - P5 = 5 PIN NEMA Photocontrol Receptacle
 - P7 = 7 PIN NEMA Photocontrol Receptacle
 - DM = 0V – 10V dimmable driver
 - DE = ROAM Concierge/Enterprise
 - VE = ROAMview
 - PCSS = DSS 120-277V Photocontrol
 - PCL1 = DLL 120V Photocontrol
 - PCL3 = DLL 347V Photocontrol
 - PCL4 = DLL 480V Photocontrol
 - PSC = Shorting Cap
 - SP = Individual unit/Sample pack
 - US = Uplight Skirt

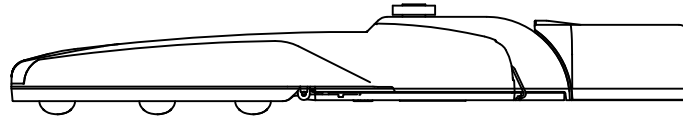
- Special Options ***
- ML = Multi-Level Dimming
 - CLO = Constant Lumen Output
- *Additional information is required from the customer. Please contact Infrastructure TSG for assistance.

- Accessories**
- MGLEDWG = WIRE GUARD KIT

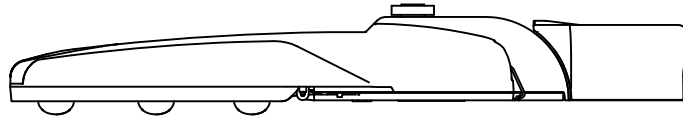
THIS DRAWING, WHEN APPROVED, SHALL BECOME THE COMPLETE SPECIFICATION FOR THE MATERIAL TO BE FURNISHED BY HOLOPHANE ON THE ORDER NOTED ABOVE. A UNIT OF SIMILAR DESIGN MAY BE ORDERED WITHOUT THE HOLOPHANE ANCHOR BOLT. THE PRINT WILL BE SUPPLIED WITH EACH ANCHOR BOLT ORDER TO MATCH THE POLE PROVIDED. THIS PRINT IS THE PROPERTY OF HOLOPHANE AND IS LOANED SUBJECT TO RETURN UPON DEMAND AND UPON EXPRESS WRITTEN REQUEST. IT IS NOT TO BE REPRODUCED OR COPIED IN ANY WAY DETRIMENTAL TO OUR INTERESTS, AND ONLY IN CONNECTION WITH MATERIAL FURNISHED BY HOLOPHANE.

ORDER #:	
TYPE:	
DRAWN: MRP	
DATE: 2-12-19	
DWG #: MONGOOSE LED	

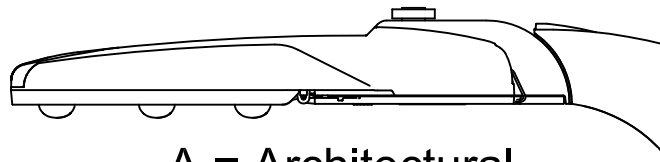
Mounting



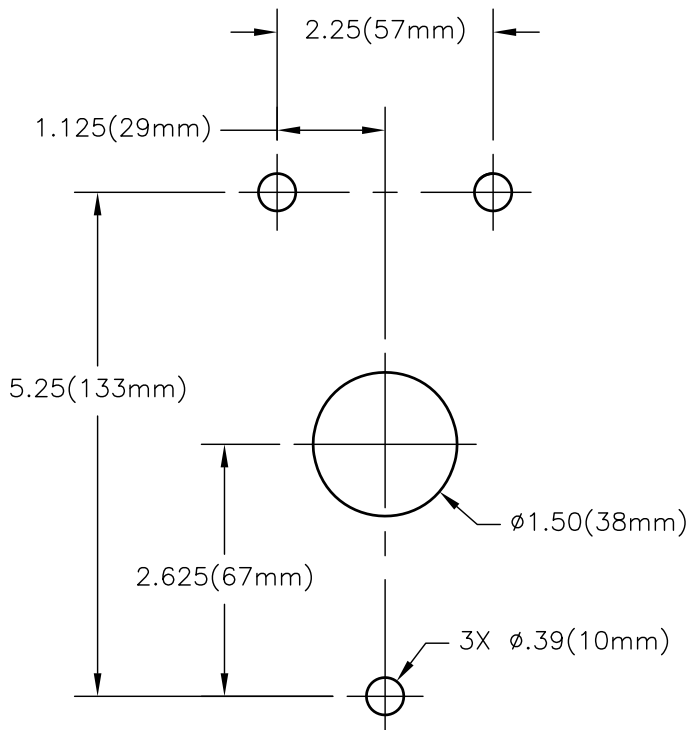
V = Vertical Tenon
Attaches to 2" Vertical Tenon



H = Horizontal Arm
Attaches to 2" Horizontal Arm



A = Architectural
Attaches to Square Pole or Tenon
Adaptor (See Pole Pattern Below)



MONGOOSE LED™
LED Roadway Lighting

**Infrastructure
Outdoor**

HOLOPHANE®
LEADER IN LIGHTING SOLUTIONS
An Acuity Brands Company
© 2010 Acuity Brands Lighting, Inc. All Rights Reserved

THIS DRAWING, WHEN APPROVED, SHALL BECOME THE COMPLETE SPECIFICATION FOR THE MATERIAL TO BE FURNISHED BY HOLOPHANE ON THE ORDER NOTED ABOVE. A UNIT OF SIMILAR DESIGN MAY BE SUPPLIED, BUT ONLY AFTER APPROVAL BY THE CUSTOMER IN WRITING. ON POLE ORDERS AN ANCHOR BOLT TEMPLATE PRINT WILL BE SUPPLIED. THIS PRINT IS THE PROPERTY OF HOLOPHANE AND IS LOANED SUBJECT TO RETURN UPON DEMAND AND UPON EXPRESS CONDITION THAT IT WILL NOT BE USED DIRECTLY OR INDIRECTLY IN ANY WAY DETRIMENTAL TO OUR INTERESTS, AND ONLY IN CONNECTION WITH MATERIAL FURNISHED BY HOLOPHANE.

ORDER #:	
TYPE:	
DRAWN:	MRP
DATE:	2-12-19
DWG #:	MONGOOSE LED

Specifications

Optical

- Performance is comparable to 150 - 400 watt HID
- IP66 rated borosilicate glass optics ensure longevity and minimize dirt depreciation
- 4,000K CCT, 70 CRI Min. or optional 5,000K CCT, 70 CRI Min.
- Available with Narrow roadway, Medium Roadway, Wide Roadway, Forward Throw, and Area Type lighting distributions

Electrical

- Electronic driver has an expected life of 100,000 hours at 25°C
- LED light engines are rated > 100,000 at 25°C, L70
- Robust ANSI/IEEE 62.41 Category C 10kV/5kA surge protection.

Mechanical

- Rugged low copper diecast aluminum coupled with a rigorous 5-stage pretreatment, epoxy basecoat and polyester topcoat yield a finish that achieves a scribe creepage rating of 8 after 5,000 hours of salt spray.
- Removable "power door" facilitates product installation and maintenance
- Corrosion resistant stainless steel latches ensure secure closure over the long fixture life
- Multiple mounting configurations allow for attachment to horizontal mast arms, pole top tenons, and direct mounting to square poles. All Mountings are 3G vibration rated per ANSI C136
- Adjustable fixture tilt from 0 - 45 degrees provides flexibility to optimize lighting performance

Controls

- Premium solid state locking-style photocontrol - PCSS (10 year rated life)
- Extreme long life solid state locking-style photocontrol - PCLL (20 year rated life)
- Multi-level dimming
- DE and VE options allow the fixture to be dimmed using the ROAM control system

Warranty & Standards

- 5 Year limited warranty. Full warranty terms located at http://www.acuitybrands.com/CustomerResources/Terms_and_conditions.aspx
- Rated for -40C to 40C ambient
- CSA Certified to US and Canadian standards

0° TILT LUMEN DATA PERFORMANCE

Performance Package	Distribution	Input Watts	3K (3000K CCT, 70 CRI)		4K/5K (4000K/5000K CCT, 70 CRI)		LLD @ 25°C		
			Lumens	LPW	Lumens	LPW	25k Hours	75k Hours	100k Hours
4	N	168	19,928	119	21,428	128	0.89	0.86	0.83
	M		19,578	117	21,051	125			
	W		19,191	114	20,635	123			
	F		18,772	112	20,185	120			
	A		20,725	123	22,285	133			
5	N	210	24,910	119	26,785	128	0.89	0.86	0.83
	M		24,472	117	26,314	125			
	W		23,988	114	25,794	123			
	F		23,466	112	25,232	120			
	A		25,907	123	27,857	133			
6	N	255	30,496	120	32,525	128	0.89	0.86	0.83
	M		30,137	118	31,953	125			
	W		29,691	116	31,321	123			
	F		28,494	112	30,639	120			
	A		31,458	123	33,826	133			
7	N	296	35,390	120	38,021	128	0.89	0.86	0.83
	M		35,072	118	37,205	126			
	W		34,691	117	36,461	123			
	F		33,309	113	35,816	121			
	A		36,774	124	39,542	134			
8	N	336	40,152	120	43,083	128	0.89	0.86	0.83
	M		39,762	118	42,142	125			
	W		39,106	116	41,385	123			
	F		37,743	112	40,584	121			
	A		41,670	124	44,806	133			
9	N	376	44,789	151	48,283	163	0.89	0.86	0.83
	M		44,353	150	47,185	159			
	W		43,587	147	46,416	157			
	F		42,299	143	45,483	154			
	A		46,699	158	50,214	170			

MONGOOSE LED™
LED Roadway Lighting

**Infrastructure
Outdoor**

HOLOPHANE®
LEADER IN LIGHTING SOLUTIONS
An **Acuity Brands Company**
© 2010 Acuity Brands Lighting, Inc., All Rights Reserved

THIS DRAWING, WHEN APPROVED, SHALL BECOME THE COMPLETE SPECIFICATION FOR THE MATERIAL TO BE FURNISHED BY HOLOPHANE ON THE ORDER NOTED ABOVE. A UNIT OF SIMILAR DESIGN MAY BE SUPPLIED, BUT ONLY AFTER APPROVAL BY THE CUSTOMER IN WRITING. ON POLE ORDERS AN ANCHOR BOLT TEMPLATE PRINT WILL BE PROVIDED. THIS PRINT IS THE PROPERTY OF HOLOPHANE AND IS LOANED SUBJECT TO RETURN UPON DEMAND AND UPON EXPRESS CONDITION THAT IT WILL NOT BE USED DIRECTLY OR INDIRECTLY IN ANY WAY DETRIMENTAL TO OUR INTERESTS, AND ONLY IN CONNECTION WITH MATERIAL FURNISHED BY HOLOPHANE.

ORDER #:
TYPE:
DRAWN: MRP
DATE: 2-12-19
DWG #: MONGOOSE LED

0° TILT with US OPTION LUMEN DATA PERFORMANCE

Performance Package	Distribution	Input Watts	3K (3000K CCT, 70 CRI)		4K/5K (4000K/5000K CCT, 70 CRI)		LLD @ 25°C		
			Lumens	LPW	Lumens	LPW	25k Hours	75k Hours	100k Hours
4	N with US	168	19,715	117	19,715	117	0.89	0.86	0.83
	M with US		19,268	115	19,268	115			
	W with US		19,002	113	19,002	113			
	F with US		18,770	112	18,770	112			
	A with US		20,121	120	20,121	120			
5	N with US	210	24,610	117	24,610	117	0.89	0.86	0.83
	M with US		24,065	115	24,065	115			
	W with US		23,711	113	23,711	113			
	F with US		23,376	111	23,376	111			
	A with US		25,126	120	25,126	120			
6	N with US	255	29,897	117	29,897	117	0.89	0.86	0.83
	M with US		29,252	115	29,252	115			
	W with US		28,835	113	28,835	113			
	F with US		28,350	111	28,350	111			
	A with US		30,501	120	30,501	120			
7	N with US	296	34,657	117	34,657	117	0.89	0.86	0.83
	M with US		33,738	114	33,738	114			
	W with US		33,298	112	33,298	112			
	F with US		32,867	111	32,867	111			
	A with US		35,314	119	35,314	119			
8	N with US	336	39,442	117	39,442	117	0.89	0.86	0.83
	M with US		38,395	114	38,395	114			
	W with US		37,891	113	37,891	113			
	F with US		37,358	111	37,358	111			
	A with US		40,154	120	40,154	120			
9	N with US	376	44,670	151	44,670	151	0.89	0.86	0.83
	M with US		43,415	147	43,415	147			
	W with US		43,061	145	43,061	145			
	F with US		42,345	143	42,345	143			
	A with US		45,473	154	45,473	154			

MONGOOSE LED™
LED Roadway Lighting

**Infrastructure
Outdoor**



THIS DRAWING, WHEN APPROVED, SHALL BECOME THE COMPLETE SPECIFICATION FOR THE MATERIAL TO BE FURNISHED BY HOLOPHANE ON THE ORDER NOTED ABOVE. A UNIT OF SIMILAR DESIGN MAY BE SUPPLIED, BUT ONLY AFTER APPROVAL BY THE CUSTOMER IN WRITING. ON POLE ORDERS AN ANCHOR BOLT TEMPLATE PRINT WILL BE PROVIDED. THIS PRINT IS THE PROPERTY OF HOLOPHANE AND IS LOANED SUBJECT TO RETURN UPON DEMAND AND UPON EXPRESS CONDITION THAT IT WILL NOT BE USED DIRECTLY OR INDIRECTLY IN ANY WAY DETRIMENTAL TO OUR INTERESTS, AND ONLY IN CONNECTION WITH MATERIAL FURNISHED BY HOLOPHANE.

ORDER #:
TYPE:
DRAWN: MRP
DATE: 2-12-19
DWG #: MONGOOSE LED