



READ AND FOLLOW ALL SAFETY INSTRUCTIONS!
SAVE THESE INSTRUCTIONS AND DELIVER TO OWNER AFTER INSTALLATION

- To reduce the risk of death, personal injury or property damage from fire, electric shock, falling parts, cuts/abrasions, and other hazards please read all warnings and instructions included with and on the fixture box and all fixture labels.
- Before installing, servicing, or performing routine maintenance upon this equipment, follow these general precautions.
- Installation and service of luminaires should be performed by a **qualified licensed electrician**.
- Maintenance of the luminaires should be performed by person(s) familiar with the luminaires' construction and operation and any hazards involved. Regular fixture maintenance programs are recommended.
- It will occasionally be necessary to clean the outside of the refractor/lens. Frequency of cleaning will depend on ambient dirt level and minimum light output which is acceptable to user. Refractor/lens should be washed in a solution of warm water and any mild, non-abrasive household detergent, rinsed with clean water and wiped dry. Should optical assembly become dirty on the inside, wipe refractor/lens and clean in above manner, replacing damaged gaskets as necessary.
- **DO NOT INSTALL DAMAGED PRODUCT!** This luminaire has been properly packed so that no parts should have been damaged during transit. Inspect to confirm. Any part damaged or broken during or after assembly should be replaced.
- Recycle: For information on how to recycle LED electronic products, please visit www.epa.gov.
- These instructions do not purport to cover all details or variations in equipment nor to provide every possible contingency to meet in connection with installation, operation, or maintenance. Should further information be desired or should particular problems arise which are not covered sufficiently for the purchaser's or owner's purposes, this matter should be referred to Acuity Brands Lighting, Inc.




WARNING
RISK OF ELECTRIC SHOCK

- ✓ Disconnect or turn off power before installation or servicing.
- ✓ Verify that supply voltage is correct by comparing it with the luminaire label information.
- ✓ Make all electrical and grounded connections in accordance with the National Electrical Code (NEC) and any applicable local code requirements.
- ✓ All wiring connections should be capped with UL approved recognized wire connectors.




WARNING
RISK OF BURN

- ✓ Allow lamp/fixture to cool before handling. Do not touch enclosure or light source.
- ✓ Do not exceed maximum wattage marked on luminaire label.
- ✓ Follow all manufacturer's warnings, recommendations and restrictions for: driver type, burning position, mounting locations/methods, replacement and recycling.



CAUTION
RISK OF INJURY

- ✓ Wear gloves and safety glasses at all times when removing luminaire from carton, installing, servicing or performing maintenance.
- ✓ Avoid direct eye exposure to the light source while it is on.



CAUTION
RISK OF FIRE

- ✓ Keep combustible and other materials that can burn, away from lamp/lens.
- ✓ Do not operate in close proximity to persons, combustible materials or substances affected by heat or drying.



CAUTION: RISK OF PRODUCT DAMAGE

- ✓ Never connect components under load.
- ✓ Do not mount or support these fixtures in a manner that can cut the outer jacket or damage wire insulation.
- ✓ Unless individual product specifications deem otherwise: Never connect an LED product directly to a dimmer packs, occupancy sensors, timing devices, or other related control devices. LED fixtures must be powered directly off a switched circuit.
- ✓ Unless individual product specifications deem otherwise: Do not restrict fixture ventilation. Allow for some volume of airspace around fixture. Avoid covering LED fixtures with insulation, foam, or other material that will prevent convection or conduction cooling.
- ✓ Unless individual product specifications deem otherwise: Do not exceed fixtures maximum ambient temperature.
- ✓ Only use fixture in its intended location.
- ✓ LED products are Polarity Sensitive. Ensure proper Polarity before installation.
- ✓ Electrostatic Discharge (ESD): ESD can damage LED fixtures. Personal grounding equipment must be worn during all installation or servicing of the unit.
- ✓ Do not touch individual electrical components as this can cause ESD, shorten lamp life, or alter performance.
- ✓ Some components inside the fixture may not be serviceable. In the unlikely event your unit may require service, stop using the unit immediately and contact an ABL representative for assistance.
- ✓ Always read the fixtures complete installation instructions prior to installation for any additional fixture specific warnings.

Please see product specific installation instructions for additional warnings or any applicable FCC or other regulatory statements.

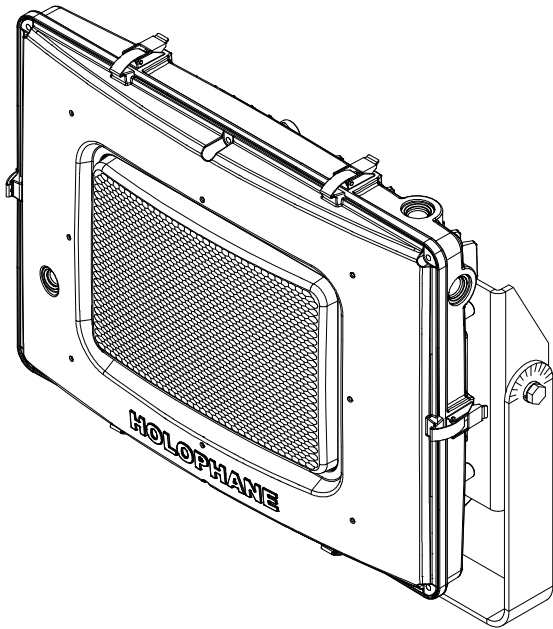
Failure to follow any of these instructions could void product warranties. For a complete listing of product Terms and Conditions, please visit www.acuitybrands.com.

Our Brands	Indoor/Outdoor Lithonia Lighting Carandini Holophane RELOC	Indoor Lighting Gotham Mark Architectural Lighting Peerless Renaissance Lighting Winona Lighting	Outdoor Lighting American Electric Lighting Antique Street Lamps Hydrel Tersen	Controls DARK TO LIGHT Lighting Control & Design ROAM Sensor Switch Synergy
-------------------	---	--	---	---

Acuity Brands Lighting, Inc. assumes no responsibility for claims arising out of improper or careless installation or handling of its products.

ABL LED General Warnings, Form No. 503.203

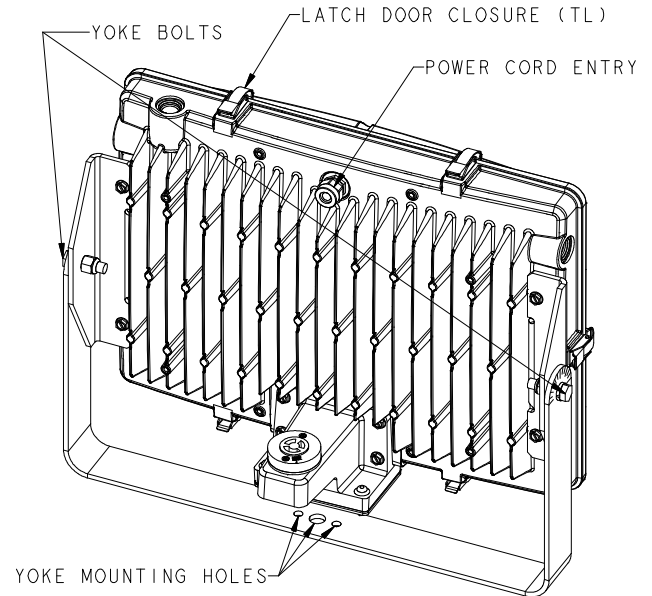
© 2013 Acuity Brands Lighting, Inc. All rights reserved. 6/12/13



GR2279

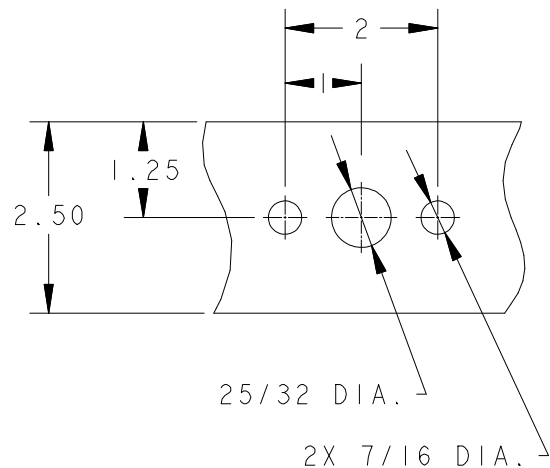
Torque Wrench (ft.-lbs.) Mounting Bolts, Knuckle fitter bolt and set screws

Figure 1



GR2276

Figure 2



GR2280

1 INTRODUCTION

1.1 Product Description

The Predator® LED Flood luminaire has been listed to applicable U.S. & Canadian safety standards by Underwriters Laboratories Inc. It is suitable for use in wet locations and ambient temperatures up to 40°C.

This device complies with Part 15 of the FCC Rules. Operation is subject to the following two conditions: (1) this device may not cause harmful interference, and (2) this device must accept any interference received, including interference that may cause undesired operation.

- The LED driver/door assembly can be detached for repair by disengaging the hinge and unplugging electrical connectors. See Figure 4.

1.2 Alternate Information Sources. If additional questions arise relative to these luminaires that this document or your supplier cannot answer, please refer them to:

Holophane
Field Service Department
P.O. Box 3004
Newark, OH 43058-3004
(740) 345-9631

2 INSTALLATION

2.1 Tools and Materials Required.

DESCRIPTION	USE
9/16" Hex Wrench	Knuckle fitter bolt and set screws, 3/8-16UNC Yoke bolt
3/4" Hex Wrench	1/2-18UNC Yoke bolt
7/8" Hex Wrench	Yoke nut
1/4" Nut Driver	Knuckle Fitter Wiring Cover
3/16" Allen Wrench	Closure Screws (Not needed for TL option)

2.2 Yoke Mount Installation.

This luminaire is pre-wired with a UL listed wet location power cord and fittings, so it is not necessary to open the housing door to install or wire the luminaire. If access to the interior of the housing is necessary, refer to the MAINTENANCE section (SECTION 3) below.

2.2.1 Bolt the yoke to the mounting structure using either two 3/8" bolts or one 3/4" grade 5 bolt. Tighten bolts securely (30-35 ft.-lbs. for 3/8" bolts or 190-200 ft.-lbs. for 3/4" bolt). The bolts and other hardware are not provided. See Figure 2 for mounting hole pattern.

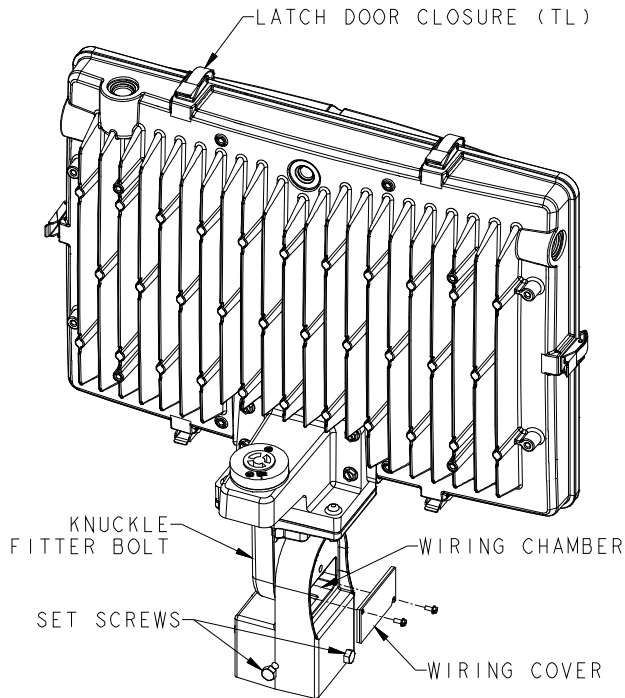
2.2.2 Make all wiring connections in accordance with approved wiring methods.

2.2.3 For units with a photocontrol receptacle, the mounting must be restricted to $\pm 45^\circ$ from horizontal aim per ANSI C136.10-2010.

2.2.4 Tighten the 1/2" diameter yoke bolts securely (approx. 50 ft.lb. recommended). See Figure 1.

2.2.5 Energize the floodlight. Check its operation and check for proper area illumination. Adjust the aiming point as needed within the limits of the mounting restrictions.

Figure 3



2.3 Knuckle Fitter Mount Installation.

This luminaire is pre-wired with UL listed supply wire leads, so it is not necessary to open the housing door to install or wire the luminaire. If access to the interior of the housing is necessary, refer to the MAINTENANCE section (SECTION 3) below.

2.3.1 Slip the slip fitter of the knuckle fitter over the pole-top, tenon or pipe bracket. Lightly tighten all four set screws evenly against the pole-top, tenon or pipe bracket.

WARNING

DO NOT MOUNT THE KNUCKLE FITTER TO A TENON OR BRACKET THAT IS MORE THAN 30 DEGREES FROM VERTICAL. MOUNTING AT AN ANGLE GREATER THAN 30 DEGREES MAY RESULT IN DISENGAGEMENT OF THE FITTER AND RESULT IN SERIOUS INJURY OR DEATH.

2.3.2 Removed wiring cover from knuckle fitter.

2.3.3 Make all wiring connections inside the wiring chamber in accordance with approved wiring methods.

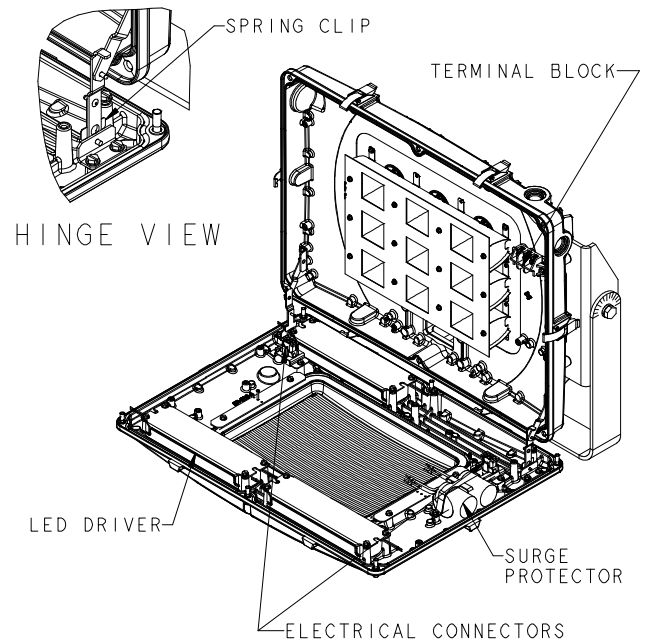
2.3.4 Replace the knuckle fitter wiring cover.

2.3.5 For units with a photocontrol receptacle, the mounting must be restricted to $\pm 45^\circ$ from horizontal aim per ANSI C136.10-2010.

2.3.6 Tighten the 3/8" diameter knuckle fitter bolt securely (approx. 16 ft.lb. recommended). Tighten (4) 3/8 set screws to 16 ft.lb. See Figure 3.

2.3.7 Energize the floodlight. Check its operation and check for proper area illumination. Adjust the aiming point as needed within the limits of the mounting restrictions.

Figure 4



2.4 DM Option

For units equipped with 0-10V dimming, locate the gray and violet leads in the knuckle wiring chamber or inside the unit for the yoke mount options. These are to be used with a Holophane approved control circuit. Connect supply dimming leads to dimming leads in the wiring chamber next to the terminal block. VIOLET IS POSITIVE, GRAY IS NEGATIVE.

CAUTION

IT IS NECESSARY THAT THE POLARITY OF THE DIMMING CONTROL LEADS TO THE FIXTURE BE MAINTAINED. CROSSING OF THE POLARITY WILL CAUSE IMPROPER AND UNEXPECTED DIMMING RESULTS AND MAY LEAD TO DAMAGE TO THE DRIVER DIMMING CIRCUITS.

3 MAINTENANCE

3.1 Cleaning of Luminaire

3.1.1 Wipe off exterior dirt and debris using a soft clean cloth. A mild detergent and water may be used if necessary.

CAUTION

DO NOT USE ABRASIVE CLEANERS ON OPTICAL SURFACES. THEIR USE MAY RESULT IN THE LOSS OF OPTICAL EFFICIENCY.

3.2 Electrical Component Replacement

Replacement of any electrical components (with the exception of the photocontrol) requires entry into the housing to access them. Assure that power has been shut off before attempting to open the door.

The door is sealed with a one-piece silicone gasket. Take precaution while opening the door not to damage or disturb the gasket.

The access door to your luminaire is normally fastened to the housing with captive socket head cap screws; however, your luminaire may be equipped with over-center latches for tool-less access. The door also has twin pivot hinges to hold the door to the housing. Take precaution when opening the door. Support the weight of the door while lowering, taking care not to let the door impact any surrounding object or surface. The door can be removed if necessary.

3.2.1 Disconnect power to the unit prior to opening and performing any maintenance.

3.2.2 Access to the LED modules should be performed by qualified personnel experienced with solid state lighting only. Contact factory for support.

3.2.3 Loosen closure screws or disengage latches. Carefully open electrical housing. See Figure 4.

3.2.4 Surge Protector Replacement: See Figure 4. Locate the surge protectors. Disconnect the surge protector via the wiring quick disconnects. Loosen the clamp band holding the surge protectors in place. Carefully remove the surge protectors and install the new, Holophane approved surge protectors in the same orientation with the original screw and wire tie. Re-connect the surge protectors' quick disconnects. Close the door and secure door closure screws or latches. Tighten evenly and securely. Perform step 2.3.7.

3.2.5 LED Driver Replacement: Before removing components, disconnect driver input and output leads nearest the driver via the wiring quick disconnects. Remove the (4) driver screws to remove the driver from the electrical door; retain screws for reuse. Install new Holophane approved driver and tighten screws securely. Reconnect all driver input and output leads. Close the door and secure door closure screws or latches. Tighten evenly and securely. Perform step 2.3.7.

3.2.6 Door Replacement: Loosen closure screws or disengage latches. Carefully open electrical housing. Disconnect the driver input and output quick disconnect harnesses and disengage the hinge from the door via key slot by depressing the spring clip on both sides. See Figure 4. Replace with new Holophane supplied door assembly. Close the door and secure door closure screws or latches. Tighten evenly and securely. Perform step 2.3.7.

CAUTION

BE CERTAIN THAT NO WIRING IS PINCHED BETWEEN THE DOOR AND HOUSING OR BETWEEN THE DOOR AND REFLECTOR.

4 WARRANTY

Five-year limited warranty. Full warranty terms located at http://www.acuitybrands.com/customerresources/terms_and_conditions.aspx



Acuity Lighting Group, Inc.
214 Oakwood Ave., Newark, OH 43055

IM-365 12/13 ©2013 Acuity Brands Inc.

Visit our web site at www.holophane.com