

**READ AND FOLLOW ALL SAFETY INSTRUCTIONS!
SAVE THESE INSTRUCTIONS AND DELIVER TO OWNER AFTER INSTALLATION**

- To reduce the risk of death, personal injury or property damage from fire, electric shock, falling parts, cuts/abrasions, and other hazards please read all warnings and instructions included with and on the fixture box and all fixture labels.
- Before installing, servicing, or performing routine maintenance upon this equipment, follow these general precautions.
- Installation and service of luminaires should be performed by a **qualified licensed electrician**.
- Maintenance of the luminaires should be performed by person(s) familiar with the luminaires' construction and operation and any hazards involved. Regular fixture maintenance programs are recommended.
- It will occasionally be necessary to clean the outside of the refractor/lens. Frequency of cleaning will depend on ambient dirt level and minimum light output which is acceptable to user. Refractor/lens should be washed in a solution of warm water and any mild, non-abrasive household detergent, rinsed with clean water and wiped dry. Should optical assembly become dirty on the inside, wipe refractor/lens and clean in above manner, replacing damaged gaskets as necessary.
- **DO NOT INSTALL DAMAGED PRODUCT!** This luminaire has been properly packed so that no parts should have been damaged during transit. Inspect to confirm. Any part damaged or broken during or after assembly should be replaced.
- Recycle: For information on how to recycle LED electronic products, please visit www.epa.gov.
- These instructions do not purport to cover all details or variations in equipment nor to provide every possible contingency to meet in connection with installation, operation, or maintenance. Should further information be desired or should particular problems arise which are not covered sufficiently for the purchaser's or owner's purposes, this matter should be referred to Acuity Brands Lighting, Inc.



**WARNING
RISK OF ELECTRIC SHOCK**

- ✓ Disconnect or turn off power before installation or servicing.
- ✓ Verify that supply voltage is correct by comparing it with the luminaire label information.
- ✓ Make all electrical and grounded connections in accordance with the National Electrical Code (NEC) and any applicable local code requirements.
- ✓ All wiring connections should be capped with UL approved recognized wire connectors.



**WARNING
RISK OF BURN**

- ✓ Allow lamp/fixture to cool before handling. Do not touch enclosure or light source.
- ✓ Do not exceed maximum wattage marked on luminaire label.
- ✓ Follow all manufacturer's warnings, recommendations and restrictions for: driver type, burning position, mounting locations/methods, replacement and recycling.



**CAUTION
RISK OF INJURY**

- ✓ Wear gloves and safety glasses at all times when removing luminaire from carton, installing, servicing or performing maintenance.
- ✓ Avoid direct eye exposure to the light source while it is on.



**CAUTION
RISK OF FIRE**

- ✓ Keep combustible and other materials that can burn, away from lamp/lens.
- ✓ Do not operate in close proximity to persons, combustible materials or substances affected by heat or drying.



CAUTION: RISK OF PRODUCT DAMAGE

- ✓ Never connect components under load.
- ✓ Do not mount or support these fixtures in a manner that can cut the outer jacket or damage wire insulation.
- ✓ Unless individual product specifications deem otherwise: Never connect an LED product directly to a dimmer packs, occupancy sensors, timing devices, or other related control devices. LED fixtures must be powered directly off a switched circuit.
- ✓ Unless individual product specifications deem otherwise: Do not restrict fixture ventilation. Allow for some volume of airspace around fixture. Avoid covering LED fixtures with insulation, foam, or other material that will prevent convection or conduction cooling.
- ✓ Unless individual product specifications deem otherwise: Do not exceed fixtures maximum ambient temperature.
- ✓ Only use fixture in its intended location.
- ✓ LED products are Polarity Sensitive. Ensure proper Polarity before installation.
- ✓ Electrostatic Discharge (ESD): ESD can damage LED fixtures. Personal grounding equipment must be worn during all installation or servicing of the unit.
- ✓ Do not touch individual electrical components as this can cause ESD, shorten lamp life, or alter performance.
- ✓ Some components inside the fixture may not be serviceable. In the unlikely event your unit may require service, stop using the unit immediately and contact an ABL representative for assistance.
- ✓ Always read the fixtures complete installation instructions prior to installation for any additional fixture specific warnings.

Please see product specific installation instructions for additional warnings or any applicable FCC or other regulatory statements.

Failure to follow any of these instructions could void product warranties. For a complete listing of product Terms and Conditions, please visit www.acuitybrands.com.

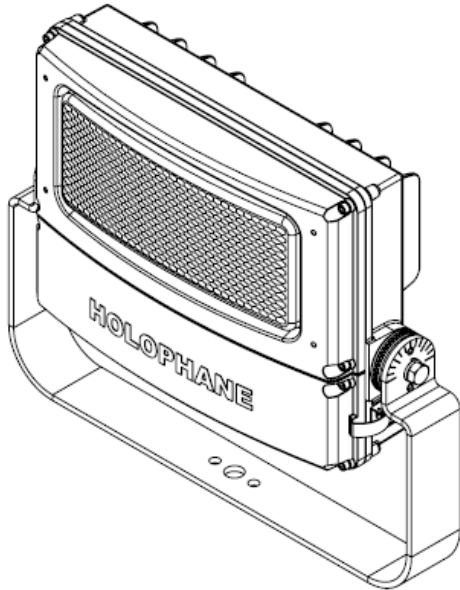
Our Brands	Indoor/Outdoor Lithonia Lighting Carandini Holophane RELOC	Indoor Lighting Gotham Mark Architectural Lighting Peerless Renaissance Lighting Winona Lighting	Outdoor Lighting American Electric Lighting Antique Street Lamps Hydrel Tersen	Controls DARK TO LIGHT Lighting Control & Design ROAM Sensor Switch Synergy
-------------------	---	--	---	---

Acuity Brands Lighting, Inc. assumes no responsibility for claims arising out of improper or careless installation or handling of its products.

ABL LED General Warnings, Form No. 503.203

© 2013 Acuity Brands Lighting, Inc. All rights reserved. 6/12/13

1 INTRODUCTION



GR2521

1.1 Product Description

The PSLED Flood luminaire is listed to applicable U.S & Canadian safety standards by Canadian Standards Association. It is suitable for wet location installations and ambient temperatures up to 40°C.

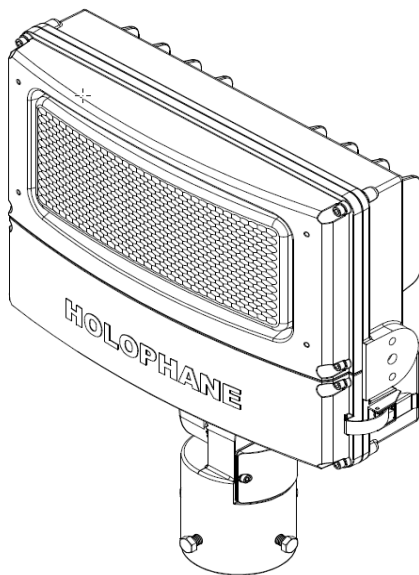
This device complies with Part 15 of the FCC Rules. Operation is subject to the following two conditions: (1) this device may not cause harmful interference, and (2) this device must accept any interference received, including interference that may cause undesired operation.

Note: The fixture driver cover can be opened for component replacement by removing the four (4) driver door fasteners. See Section 3.2.

1.2 Alternate Information Sources.

If additional questions arise relative to these luminaires that this document or your supplier cannot answer, please refer them to:

Holophane
Field Service Department
P.O. Box 3004
Newark, OH 43058-3004
(740) 345-9631



GR2522

2 INSTALLATION

2.1 Tools and Materials Required.

DESCRIPTION	USE
3/4" Hex Wrench	1/2-18 UNC Yoke Mount Fasteners
9/16" Hex Wrench	3/8-16 UNC Knuckle Tenon Set Bolts
3/16" Allen Wrench	1/4-20 SHC Driver Access Cover Fasteners (for Maintenance only)
5/32" Allen Wrench	10-24 SHC Knuckle Splice Access Fasteners
5/16" Allen Wrench	3/8-16 SNC Knuckle Adjustment Bolt

Figure 1

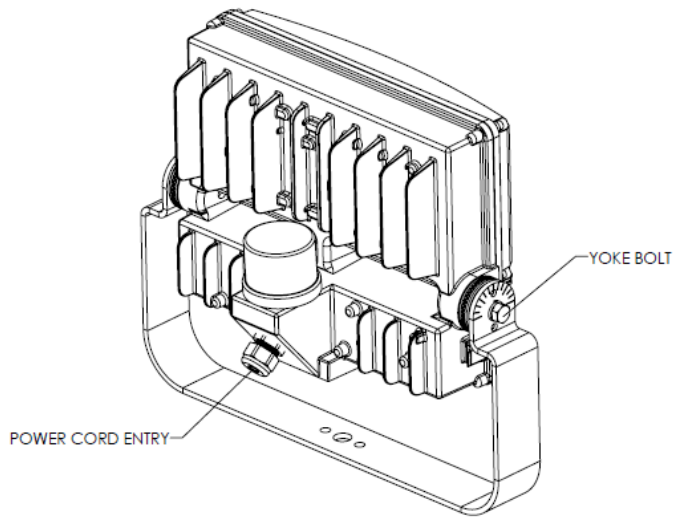
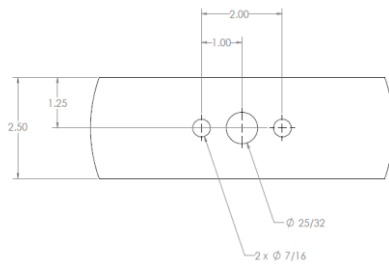


Figure 2



2.2 Yoke Mount Installation

This luminaire is pre-wired with a UL listed wet location cord and fittings. It is not necessary to access fixture housing to install or wire the luminaire. If access to the driver compartment is necessary, please refer to Section 3.2, Electrical Component Replacement.

2.2.1 Attach the yoke to the mounting structure using either two (2) 3/8" bolts or one (1) 3.4" grade 5 bolt (not provided). Tighten bolts securely to a torque of 30-35 ft. lbs. for 3/8" bolts or 190-200 ft. lbs. for a 3/4" bolt. See Figure 1 and Figure 2 for yoke mounting hole pattern.

2.2.2 Make all wiring connections via the supplied power cord in accordance with NEC and local codes.

2.2.3 Aim fixture as required and tighten both of the 1/2-16UNC yoke bolts using an approximately 50 ft. lbs. For units with photocontrol receptacle, the fixture mounting/aiming angle must be restricted to $\pm 45^\circ$ from horizontal per ANSI C136.10-2010.

2.2.4 Energize the luminaire to verify its operation and proper illumination of area.

2.3 Knuckle Mount Installation

This luminaire is pre-wired with UL listed supply wire leads. It is not necessary to access fixture housing to install or wire the luminaire. If access to the driver compartment is necessary, please refer to Section 3.2, Electrical Component Replacement.

2.3.1 Remove the two (2) 10-24 splice access cover fasteners from knuckle assembly, remove the splice access cover, and pull supply wire leads from knuckle cavity.

2.3.2 Slip luminaire knuckle fitter over 2-3/8"Ø or 2-7/8"Ø pole tenon and evenly tighten the four (4) 3/8-16 UNC Knuckle Tenon Set Bolts while maintaining the correct position of the luminaire to 16 ft. lbs..

WARNING: DO NOT MOUNT THE KNUCKLE FITTER TO A TENON OR BRACKET THAT IS MORE THAN 30 DEGREES FROM VERTICAL. MOUNTING AT AN ANGLE GREATER THAN 30 DEGREES MAY RESULT IN DISENGAGEMENT OF THE FITTER AND RESULT IN SERIOUS INJURY OR DEATH.

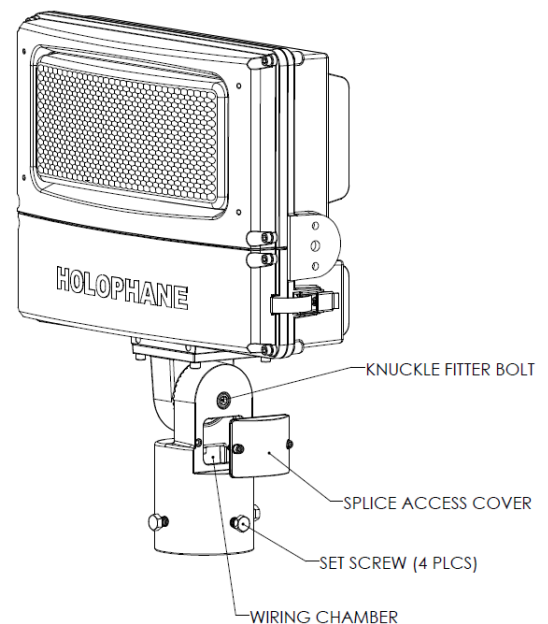
2.3.3 Make all wiring connections via the supplied power cord in accordance with NEC and local codes.

2.3.4 Push all fixture and supply wires completely within the knuckle cavity and replace the splice access cover, gasket, and two (2) 10-24 splice access cover fasteners.

2.3.5 Aim fixture as required and tighten the 3/8-18 SHC knuckle adjustment bolt using an approximately **130 in. lbs.**. For units with photocontrol receptacle, the fixture mounting/aiming angle must be restricted to $\pm 45^\circ$ from horizontal per ANSI C136.10-2010.

2.3.6 Energize the luminaire to verify its operation and proper illumination of area.

Figure 3



2.4 DM (dimming) Option

2.4.1 For units equipped with 0-10Vdc dimming option locate the gray (-) and violet (+) dimming leads (End of supply cable for yoke mount luminaires and within the knuckle cavity for knuckle mount luminaires). Make connections as required utilizing an AEL approved control circuit.

Warning: MAINTAINING CORRECT POLARITY OF THE DIMMING CONTROL LEADS TO THE FIXTURE IS CRITICAL. IMPROPER POLARITY CONNECTIONS COULD RESULT IN UNEXPECTED DIMMING RESULTS OR DAMAGE TO FIXTURE DIMMING CONTROL CIRCUIT.

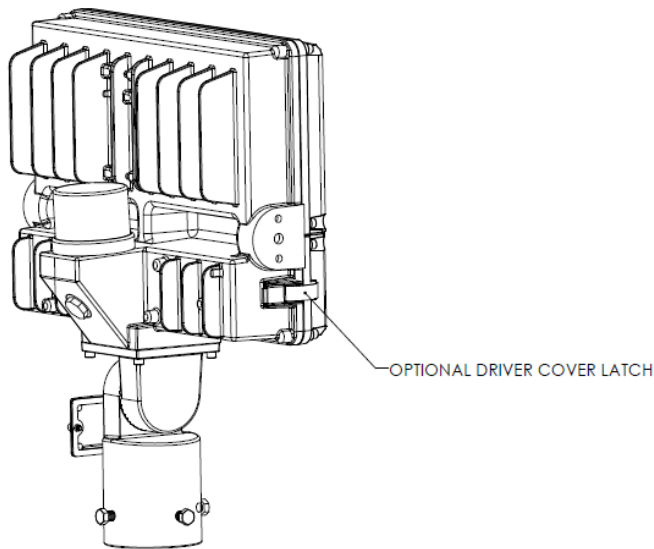
3 Maintenance

3.1 Cleaning of Luminaire

3.1.1 A soft clean cloth with mild detergent and water may be used to clean and remove debris from the exterior portions of the fixture housing and lens.

Caution: DO NOT USE ABRASIVE CLEANERS ON FIXTURE HOUSING OR LENS. THEIR USE MAY DAMAGE PAINTED SURFACES OR AFFECT OPTICAL PERFORMANCE.

Figure 4



GR2519

3.2 Electrical Component Replacement

3.2.1 Replacement of any electrical components requiring access to the interior of the luminaire housing will require power being shut off before entering the luminaire. All work should be done by personnel qualified to work on solid state luminaires.

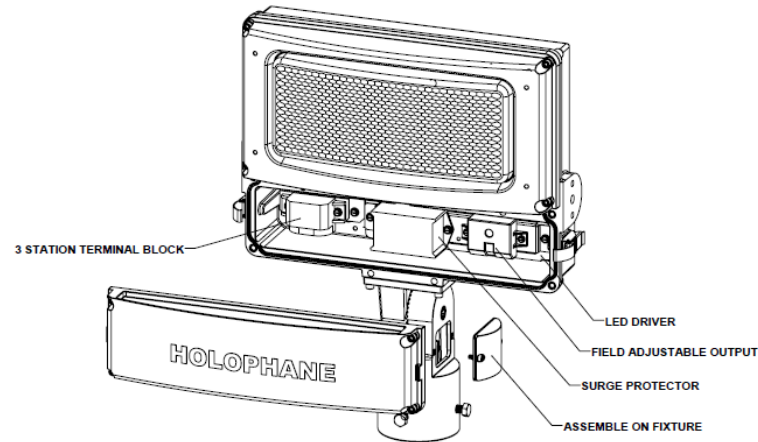
Note: The driver cover and door assembly are sealed with a one-piece silicone gasket.

Precaution must be taken when accessing the luminaire to not damage or dislodge the gasket. Access to the door assembly compartment of the luminaire is ordinarily not required. Consult Acuity Brands Technical Support Team prior to entering this portion of the luminaire.

3.2.2 Disconnect power to the luminaire prior to accessing the driver compartment and performing any maintenance.

3.2.3 Loosen the four (4) driver cover fasteners or disengage the two (2) latches (see Figure 4) and carefully remove the driver cover.

Figure 5



GR2520

3.2.4 Surge Protector Replacement:

Locate the surge protector device. Disconnect the surge device from circuit via the quick connect wire fittings. Loosen the surge protector device clamp and carefully remove the surge protector from the driver compartment. Replace with Holophane approved replacement surge protector using the existing clamp and quick connect wire fittings.

Note: THE SURGE PROTECTOR DEVICE MUST BE RECONNECTED IN THE SAME WIRING CONFIGURATION AS THE REMOVED DEVICE IN ORDER TO ENSURE PROPER AND SAFE OPERATION.

3.2.5 LED Driver Replacement

Before removing the LED Driver, disconnect the input power and output load wires via the quick connect wire fittings. Remove the two (2) driver fasteners and retain for later use. Remove driver from housing and verify that the thermal interface pad on housing wall surface is intact and undamaged. Replace thermal pad if necessary. Install new driver and secure in place with the two (2) driver fasteners and tighten securely. Reconnect driver input and load wires via the quick connect wire fittings.

3.2.6 Door Assembly

Before removing the fixture Door Assembly, disconnect the input power from fixture. Remove the four (4) door fasteners and completely remove door assembly. Install new door assembly by tightening the four (4) door fasteners in a "X" pattern.

Note: *New door assembly should include door, silicone in place lens, gasket, and four (4) fasteners.*

Tighten until door completely bottoms out of fixture housing. Reconnect fixture input power. Continue with section **3.2.5** of these instructions.

- 3.2.6.1** Carefully push all wires back within the driver compartment. Replace the driver cover and secure in place using the four (4) driver cover fasteners or two (2) latches. Be sure to tighten the four (4) driver cover fasteners evenly utilizing a zigzag pattern.
- 3.2.6.2** Energize the luminaire to verify its operation and proper illumination of area.

4 Limited Warranty and Limitation of Liability

The Holophane limited warranty and limitation of liability is published in the "Terms and Conditions" section of the current Holophane buyer's guide, and is available from your local Holophane sales representative.



Acuity Lighting Group, Inc.
214 Oakwood Ave., Newark, OH
43055

IM-425 09/26 ©2016 Acuity Brands
Inc.

Visit our web site at
www.acuitybrands.com