

READ AND FOLLOW ALL SAFETY INSTRUCTIONS!

SAVE THESE INSTRUCTIONS AND DELIVER TO OWNER AFTER INSTALLATION

- To reduce the risk of death, personal injury or property damage from fire, electric shock, falling parts, cuts/abrasions, and other hazards please read all warnings and instructions included with and on the fixture box and all fixture labels.
- Before installing, servicing, or performing routine maintenance upon this equipment, follow these general precautions.
- Installation and service of luminaires should be performed by a **qualified licensed electrician**.
- Maintenance of the luminaires should be performed by person(s) familiar with the luminaires' construction and operation and any hazards involved. Regular fixture maintenance programs are recommended.
- It will occasionally be necessary to clean the outside of the refractor/lens. Frequency of cleaning will depend on ambient dirt level and minimum light output which is acceptable to user. Refractor/lens should be washed in a solution of warm water and any mild, non-abrasive household detergent, rinsed with clean water and wiped dry. Should optical assembly become dirty on the inside, wipe refractor/lens and clean in above manner, replacing damaged gaskets as necessary.
- **DO NOT INSTALL DAMAGED PRODUCT!** This luminaire has been properly packed so that no parts should have been damaged during transit. Inspect to confirm. Any part damaged or broken during or after assembly should be replaced.
- If the lamp is marked (Hg) it contains Mercury. Follow all disposal laws. See www.lamprecycle.org.
- These instructions do not purport to cover all details or variations in equipment nor to provide every possible contingency to meet in connection with installation, operation, or maintenance. Should further information be desired or should particular problems arise which are not covered sufficiently for the purchaser's or owner's purposes, this matter should be referred to Acuity Brands Lighting, Inc.



WARNING
RISK OF ELECTRIC SHOCK

- ✓ Disconnect or turn off power before installation or servicing.
- ✓ Verify that supply voltage is correct by comparing it with the luminaire label information.
- ✓ Make all electrical and grounded connections in accordance with the National Electrical Code (NEC) and any applicable local code requirements.
- ✓ All wiring connections should be capped with UL approved recognized wire connectors.



WARNING
RISK OF BURN

- ✓ Allow lamp/fixture to cool before handling. Do not touch hot lens, lamp, guard, or enclosure.
- ✓ Do not exceed maximum wattage marked on luminaire label.
- ✓ Follow all lamp manufacturer's warnings, recommendations and restrictions on lamp operation including but not limited to: ballast type, burning position, replacement, and recycling.
- ✓ Use only lamps that comply with ANSI standards.



CAUTION
RISK OF INJURY

- ✓ Wear gloves and safety glasses at all times when removing luminaire from carton, installing, servicing or performing maintenance.
- ✓ Avoid direct eye exposure to the light source while it is on.



CAUTION
RISK OF FIRE

- ✓ Keep combustible and other materials that can burn away from lamp/lens.
- ✓ Do not operate in close proximity to persons, combustible materials or substances affected by heat or drying.

Failure to follow any of these instructions could void product warranties.
For a complete listing of product Terms and Conditions, please visit www.acuitybrands.com.

Our Brands

Indoor/Outdoor
Lithonia Lighting
Carandini
Holophane
RELOC

Indoor Lighting
Gotham
Mark Architectural Lighting
Peerless
Renaissance Lighting
Winona Lighting

Outdoor Lighting
American Electric Lighting
Antique Street Lamps
Hydrel
Tersen

Controls
DARK TO LIGHT
Lighting Control & Design
ROAM
Sensor Switch
Synergy

Acuity Brands Lighting, Inc. assumes no responsibility for claims arising out of improper or careless installation or handling of its products.

1 INTRODUCTION

1.1 Product Description

The Wire Guard is intended to protect the glass optic of the luminaire. Each kit, PMLLED WG for the medium and PLLED WG for the large, consists of a wire guard and (4) #8 screws.

1.2 Alternate Information Sources. If additional questions arise relative to these luminaires that this document or your supplier cannot answer, please refer them to:

Holophane
Field Service Department
P.O. Box 3004
Newark, OH 43058-3004
(740) 345-9631

2 INSTALLATION

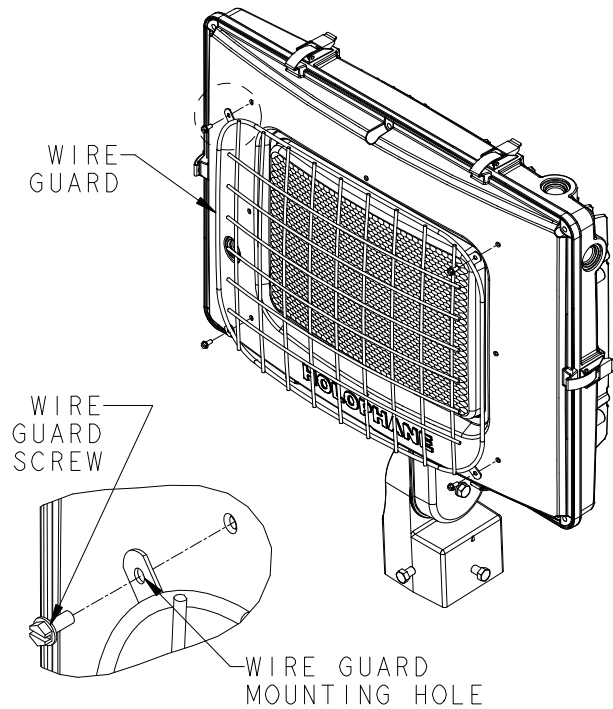
2.1 Tools and Materials Required.

DESCRIPTION	USE
1/4" Socket or Nut Driver	Wire Guard Screws

2.2 Wire Guard Installation.

Install the provided screws through the wire guard mounting holes and into the mounting holes on the door as shown in Figure 1.

Figure 1



DETAIL VIEW

GR2290



Acuity Lighting Group, Inc.
214 Oakwood Ave., Newark, OH 43055

IN-280, 1/14 ©2014 Acuity Lighting Group Inc.

Visit our web site at www.holophane.com
Printed in USA