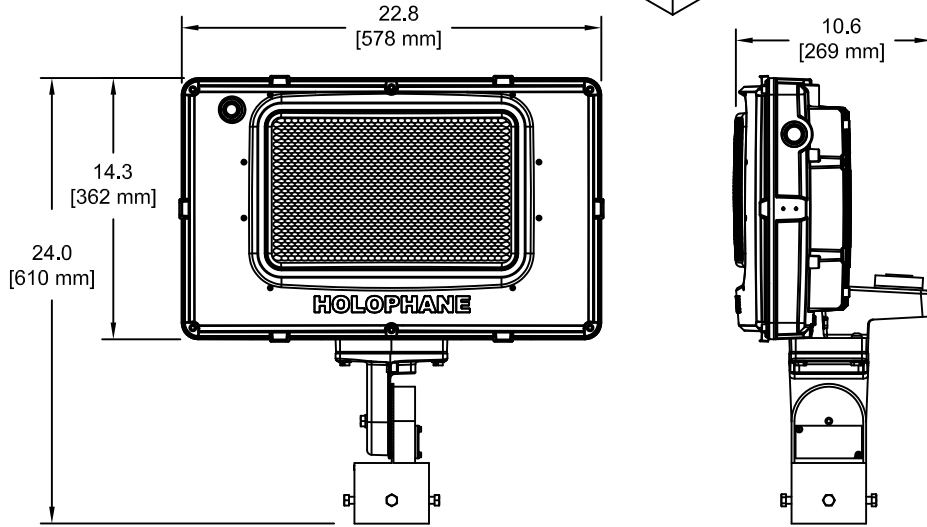
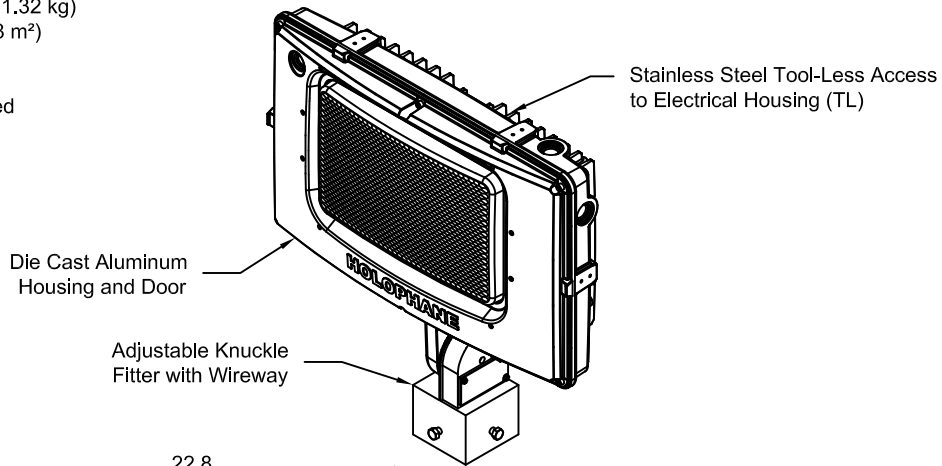


Max Weight = 47 lbs (21.32 kg)
 Max EPA = 3.0 ft² (0.28 m²)
 UL Listed
 Wet Location
 ANSI C136.31: 3G rated



KNUCKLE MOUNT

Customer Preferred: (Most Frequently Ordered Catalog Numbers)
 PML6D 6 4K 10A AS 66 1 K HP

PML6D				
Series Predator Medium LED	Number of LED'S 4 = 4 Module 5 = 5 Modules 6 = 6 Modules	Color Temperature 3K = 3,000K CCT 4K = 4,000K CCT 5K = 5,000K CCT	Drive Current 10A = 1050 mA Driver	Voltage AS = Auto-sensing Voltage (120 thru 277) AH = Auto-sensing Voltage (347 thru 480)
Beam pattern 44 = 4x4 (prismatic glass) 45 = 4x5 (prismatic glass) 55 = 5x5 (prismatic glass) 65 = 6x5 (prismatic glass) 66 = 6x6 (prismatic glass)	Mounting 1 = Tenon Slipfitter Knuckle 3 = Yoke Stainless Steel 4 = Yoke Galvanized	UL Category K = Wet Locations 1L = Marine Outside	Color BP = Black Superdurable with Epoxy Primer GP = Grey Superdurable with Epoxy Primer HP = Graphite Superdurable with Epoxy Primer WP = White Superdurable with Epoxy Primer ZP = Bonze Superdurable with Epoxy Primer	
³ Cord Length Option 04 = 4 ft Cord Length 05 = 5 ft Cord Length 06 = 6 ft Cord Length 08 = 8 ft Cord Length 10 = 10 ft Cord Length	³ Cord Length 12 = 12 ft Cord Length 15 = 15 ft Cord Length 20 = 20 ft Cord Length 25 = 25 ft Cord Length 30 = 30 ft Cord Length	³ Cord Type 63 = 16 Gage, 3 Conductor 43 = 14 Gage, 3 Conductor 23 = 12 Gage, 3 Conductor	Options See Sheet 2	Accessories See Sheet 2

ORDERING INFORMATION:

Predator[®] Medium LED

Infrastructure
Specialty



© 2010 Acuity Brands Lighting, Inc., All Rights Reserved

THIS DRAWING, WHEN APPROVED, SHALL BECOME THE COMPLETE SPECIFICATION FOR THE MATERIAL TO BE FURNISHED BY HOLOPHANE ON THE ORDER NOTED ABOVE. A UNIT OF SIMILAR DESIGN MAY BE SUBSTITUTED FOR THE ONE SHOWN HEREIN WITHOUT NOTICE. ALL DIMENSIONS ARE TO FACE UNLESS OTHERWISE NOTED. HOLOPHANE WILL BE SUPPLIED WITH EACH ANCHOR BOLT ORDER TO MATCH THE POLE LOANED SUBJECT TO RETURN UPON DEMAND AND UPON EXPRESS WRITTEN AGREEMENT TO OUR INTERESTS, AND ONLY IN CONNECTION WITH MATERIAL FURNISHED BY HOLOPHANE.

ORDER #:	
TYPE:	
DRAWN:	BGW
DATE:	10/12/17
DWG #:	LUM_PML6D

Performance specification

Optical

Performance of the PMLED is to replace 400-1000 watt HID luminaires. The optical system utilizes state of the art chip on board technology with 3000K, 4000K and 5000K color temperature choices with a 70 CRI minimum. The luminaire uses a highly specular internal reflector designed for superior field to beam ratios, uniformity and spacing. NEMA beam pattern choices of 4X4, 4X5, 5X5, 6X5, and 6X6 are available. Optional shielding is available to control uplight and light trespass. The optical enclosure is a borosilicate prismatic glass lens.

Electrical

Long Life: LED light engines are rated > 100,000 hours at 25C, L70. Electronic driver has a rated life of 100,000 hour at a 25C ambient.

Surge protection device provides ANSI c136.2 (10kV/5kA) Level of protection.

Mechanical

Rugged low copper A360 alloy die cast aluminum housing has integral heat sink fins to optimize thermal management through conductive and convection cooling. The die cast aluminum housings are painted with a super durable polyester paint finish over an epoxy primer pretreat yields a finish that achieves a scribe creepage of 8 after 5,000 hours exposure to salt spray providing durability and corrosion resistance.

The luminaire is available in either knuckle mount or yoke mount. The knuckle mount is adjustable and is designed to fit 2.375 inch to 2.875 inch tenons. The yoke mount is available i

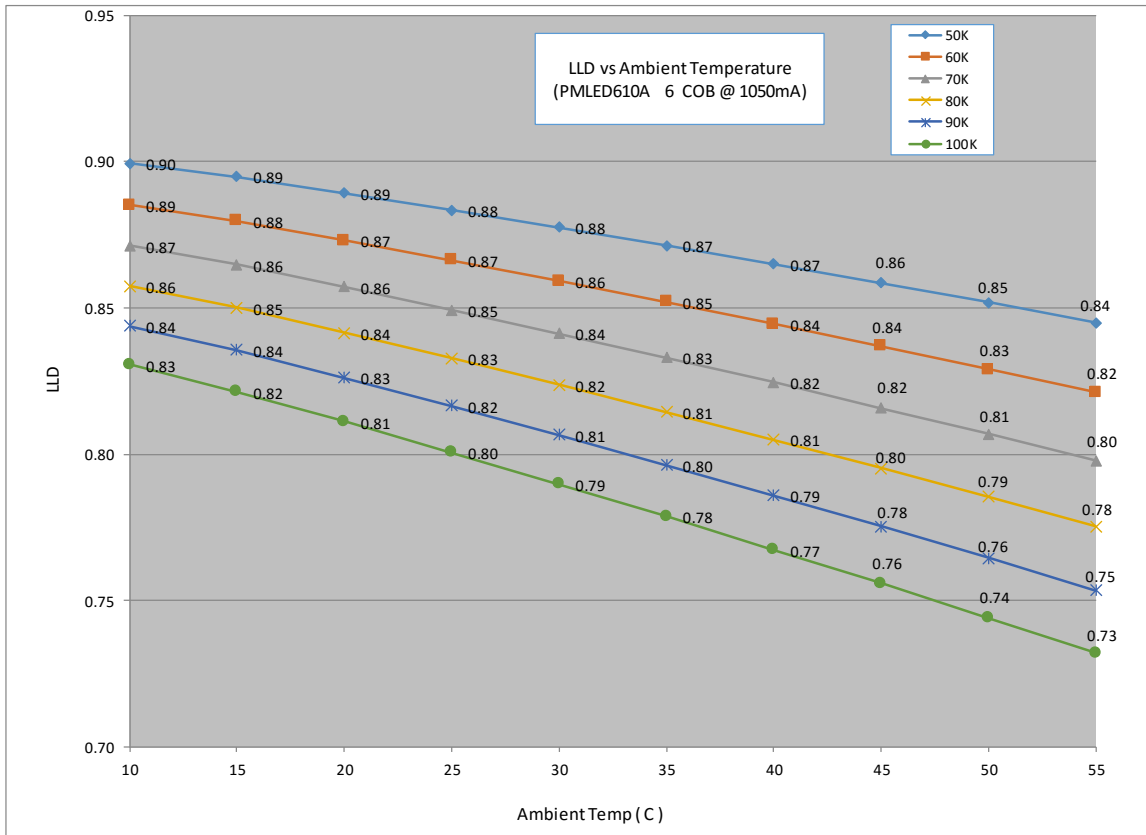
Infrastructure
Specialty



THIS DRAWING, WHEN APPROVED, SHALL BECOME THE COMPLETE SPECIFICATION FOR THE MATERIAL TO BE FURNISHED BY HOLOPHANE ON THE ORDER NOTED ABOVE. A UNIT OF SIMILAR DESIGN MAY BE SUBSTITUTED ON THE ORDER AT THE OPTION OF HOLOPHANE. THE MATERIALS, DIMENSIONS, WEIGHTS, FINISHES, ANCHOR BOLT TYPE, PRINT WILL BE SUPPLIED WITH EACH ANCHOR BOLT ORDER TO MATCH THE POLE PROVIDED. THIS PRINT IS THE PROPERTY OF HOLOPHANE AND IS LOANED SUBJECT TO RETURN UPON DEMAND AND UPON EXPRESS WRITTEN REQUEST FROM THE USER. HOLOPHANE WILL NOT BE RESPONSIBLE FOR ANY DAMAGE TO OR DESTRUCTION OF MATERIALS OR CONNECTION WITH MATERIAL FURNISHED BY HOLOPHANE.

Operating Characteristics

PMLED	Distribution	Lumens	Input operating Amps						Input Watts	LPW
			120V	208V	240V	277V	347V	480V		
04 10A		4K	1.48	0.86	0.76	0.67	0.52	0.40		
	44	20,083							177	113
	45	20,424							177	115
	55	21,789							177	123
	65	21,962							177	124
	66	21,524							177	122
PMLED	Distribution	Lumens	Input operating Amps						Input Watts	LPW
			120V	208V	240V	277V	347V	480V		
05 10A		4K	1.83	1.07	0.93	0.82	0.64	0.48		
	44	24,794							219	113
	45	25,215							219	115
	55	26,899							219	123
	65	27,114							219	124
	66	26,573							219	121
PMLED	Distribution	Lumens	Input operating Amps						Input Watts	LPW
			120V	208V	240V	277V	347V	480V		
06 10A		4K	2.18	1.27	1.11	0.97	0.76	0.56		
	44	29,257							261	112
	45	29,754							261	114
	55	31,740							261	122
	65	31,994							261	123
	66	31,357							261	120



WARRANTY

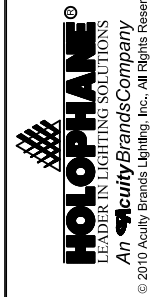
Limited warranty located at [www.acuitybrands.com/CustomerResources/Terms and conditions.aspx](http://www.acuitybrands.com/CustomerResources/Terms%20and%20conditions.aspx)

NOTE

Specifications subject to change without notice.
 Actual performance may differ as a result of end-user environment and application.
 Actual wattage may differ by +/- 8% when operating at nominal input voltage +/- 10%.

Predator[®]
Medium LED

Infrastructure
Specialty



THIS DRAWING, WHEN APPROVED, SHALL BECOME THE COMPLETE SPECIFICATION FOR THE MATERIAL TO BE FURNISHED BY HOLOPHANE ON THE ORDER NOTED ABOVE. A UNIT OF SIMILAR DESIGN MAY BE SUBSTITUTED FOR THE UNIT ORDERED WITHOUT NOTICE. THE UNIT WILL BE SUPPLIED WITH EACH ANCHOR BOLT ORDER TO MATCH THE POLE PROVIDED. THIS PRINT IS THE PROPERTY OF HOLOPHANE AND IS LOANED SUBJECT TO RETURN UPON DEMAND AND UPON EXPRESS WRITTEN NOTICE. ANY REUSE OR REPRODUCTION OF THIS PRINT IN ANY WAY DEEMED TO OUR INTERESTS, AND ONLY IN CONNECTION WITH MATERIAL FURNISHED BY HOLOPHANE.

ORDER #:	
TYPE:	
DRAWN:	BGW
DATE:	10/12/17
DWG #:	LUM_PMLED