

READ AND FOLLOW ALL SAFETY INSTRUCTIONS! SAVE THESE INSTRUCTIONS AND DELIVER TO OWNER AFTER INSTALLATION

- To reduce the risk of death, personal injury or property damage from fire, electric shock, falling parts, cuts/abrasions, and other hazards please read all warnings and instructions included with and on the fixture box and all fixture labels.
- Before installing, servicing, or performing routine maintenance upon this equipment, follow these general precautions.
- Installation and service of luminaires should be performed by a **qualified licensed electrician**.
- Maintenance of the luminaires should be performed by person(s) familiar with the luminaires' construction and operation and any hazards involved. Regular fixture maintenance programs are recommended.
- It will occasionally be necessary to clean the outside of the refractor/lens. Frequency of cleaning will depend on ambient dirt level and minimum light output which is acceptable to user. Refractor/lens should be washed in a solution of warm water and any mild, non-abrasive household detergent, rinsed with clean water and wiped dry. Should optical assembly become dirty on the inside, wipe refractor/lens and clean in above manner, replacing damaged gaskets as necessary.
- **DO NOT INSTALL DAMAGED PRODUCT!** This luminaire has been properly packed so that no parts should have been damaged during transit. Inspect to confirm. Any part damaged or broken during or after assembly should be replaced.
- Recycle: For information on how to recycle LED electronic products, please visit www.epa.gov.
- These instructions do not purport to cover all details or variations in equipment nor to provide every possible contingency to meet in connection with installation, operation, or maintenance. Should further information be desired or should particular problems arise which are not covered sufficiently for the purchaser's or owner's purposes, this matter should be referred to Acuity Brands Lighting, Inc.



WARNING RISK OF ELECTRIC SHOCK

- ✓ Disconnect or turn off power before installation or servicing.
- ✓ Verify that supply voltage is correct by comparing it with the luminaire label information.
- ✓ Make all electrical and grounded connections in accordance with the National Electrical Code (NEC) and any applicable local code requirements.
- ✓ All wiring connections should be capped with UL approved recognized wire connectors.



WARNING RISK OF BURN

- ✓ Allow lamp/fixture to cool before handling. Do not touch enclosure or light source.
- ✓ Follow all manufacturer's warnings, recommendations and restrictions for: driver type, burning position, mounting locations/methods, replacement and recycling.



CAUTION RISK OF INJURY

- ✓ Wear gloves and safety glasses at all times when removing luminaire from carton, installing, servicing or performing maintenance.
- ✓ Avoid direct eye exposure to the light source while it is on.



CAUTION RISK OF FIRE

- ✓ Keep combustible and other materials that can burn, away from lamp/lens.
- ✓ Do not operate in close proximity to persons, combustible materials or substances affected by heat or drying.

LED IMPORTANT SAFETY INSTRUCTIONS



CAUTION: RISK OF PRODUCT DAMAGE

- ✓ Never connect components under load.
- ✓ Do not mount or support these fixtures in a manner that can cut the outer jacket or damage wire insulation.
- ✓ Unless individual product specifications deem otherwise: Never connect an LED product directly to a dimmer packs, occupancy sensors, timing devices, or other related control devices. LED fixtures must be powered directly off a switched circuit.
- ✓ Unless individual product specifications deem otherwise: Do not restrict fixture ventilation. Allow for some volume of airspace around fixture. Avoid covering LED fixtures with insulation, foam, or other material that will prevent convection or conduction cooling.
- ✓ Unless individual product specifications deem otherwise: Do not exceed fixtures maximum ambient temperature.
- ✓ Only use fixture in its intended location.
- ✓ Electrostatic Discharge (ESD): ESD can damage LED fixtures. Personal grounding equipment must be worn during all installation or servicing of the unit.
- ✓ Do not touch individual electrical components as this can cause ESD, shorten lamp life, or alter performance.
- ✓ Some components inside the fixture may not be serviceable. In the unlikely event your unit may require service, stop using the unit immediately and contact an ABL representative for assistance.
- ✓ Always read the fixtures complete installation instructions prior to installation for any additional fixture specific warnings.

Please see product specific installation instructions for additional warnings or any applicable FCC or other regulatory statements.

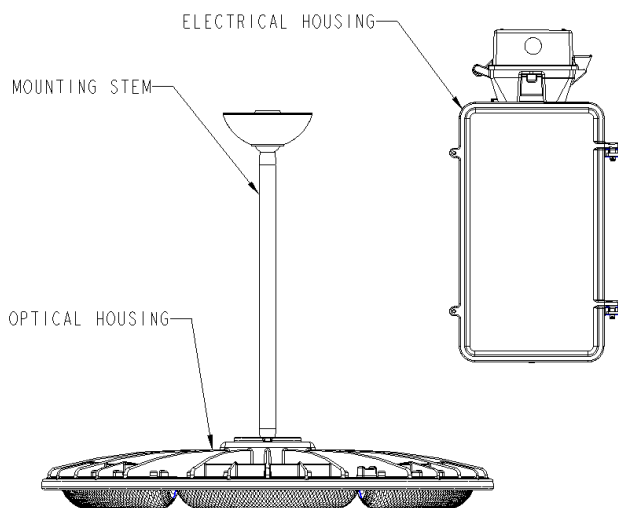
Failure to follow any of these instructions could void product warranties. For a complete listing of product Terms and Conditions, please visit www.acuitybrands.com.

Our Brands	Indoor/Outdoor	Indoor Lighting	Outdoor Lighting	Controls
	Lithonia Lighting	Gotham	American Electric Lighting	DARK TO LIGHT
	Carandini	Mark Architectural Lighting	Antique Street Lamps	Lighting Control & Design
	Holophane	Peerless	Hydrel	ROAM
	RELOC	Renaissance Lighting	Tersen	Sensor Switch
		Winona Lighting		Synergy

Acuity Brands Lighting, Inc. assumes no responsibility for claims arising out of improper or careless installation or handling of its products.

ABL LED General Warnings, Form No. 503.203

Figure 1



GR2438

1 Introduction

1.1 Product Description. The Phuzion™ PHZL Remote LED fixtures have been designed and tested in accordance with applicable UL/CSA standards and are suitable for use in damp locations. The remote fixture will come with an Electrical Housing set up for hook and/or surface mounting. The Optical Housing will be separate and require a rigid stem attachment. Optical Housing max weight is 30 lbs. Electrical Housing max weight is 25 lbs.

2 Installation

2.1 Tools and Materials Required.

TABLE 1
Installation Tools and Materials

DESCRIPTION	USE
5/16" socket	Electrical Door, Stem Set Screw
3/8" socket	Electrical housing surface mount

2.2 Stem to Optical Housing Installation (Figure 2, 3)

2.2.1 Ensure the ground wire and all (3) sets of input leads are present and accessible from both ends of the stem. Do not remove labels from set of red & blue leads.

2.2.2 Remove cover from the wiring chamber of the Optical Housing (Figure 2). Ensure that the Optical Housing contains (3) sets of red & blue input wires and a ground wire.

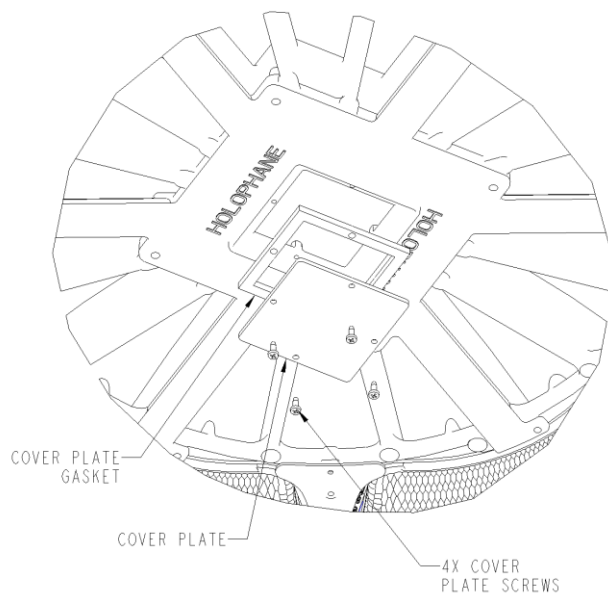
2.2.3 Route all wires from the stem into Optical Housing wiring chamber via the 3/4" NPT hole and thread the rigid conduit into place, minimum 6 turns until tight.

2.2.4 Make all wiring connections inside the Optical housing wiring chamber in accordance with approved wiring methods.

2.2.5 Reinstall the wiring chamber cover and tighten the screws

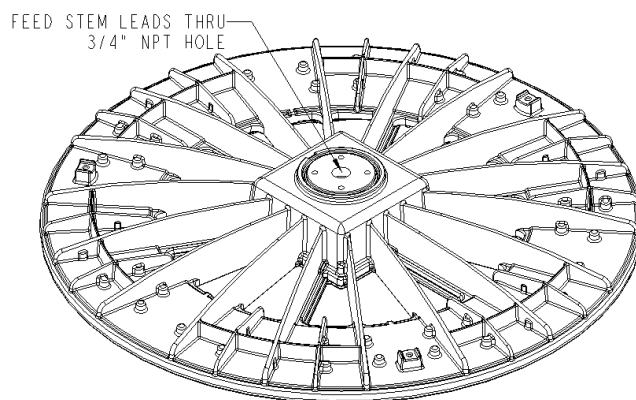
2.2.6 Take care not to pinch any wires while closing the wiring chamber.

Figure 2



GR2442

Figure 3



GR2439

2.3 Optical Housing Mounting (Figure 4)

2.3.1 Slide swivel dome and stem cover onto the mounting stem.

2.3.2 Apply adhesive to threads of the mounting stem and thread stem fitting into place. Wipe away any excess adhesive when complete.

2.3.3 Slide stem cover and swivel dome back up the mounting stem and secure them in place with the provided swivel dome set screw

2.3.4 Attach hook bracket to an outlet box.

2.3.5 Hang the Optical Housing by placing the stem fitting onto the hook bracket and install cotter pin.

2.3.6 Route leads from mounting stem into the outlet box.

2.3.7 Slide cover and swivel dome up stem. Secure swivel dome with swivel dome set screw to hold cover against mounting surface. Rigid stem must be mounted to a suitable structure capable of supporting the full weight of the Optical Housing in accordance with local codes.

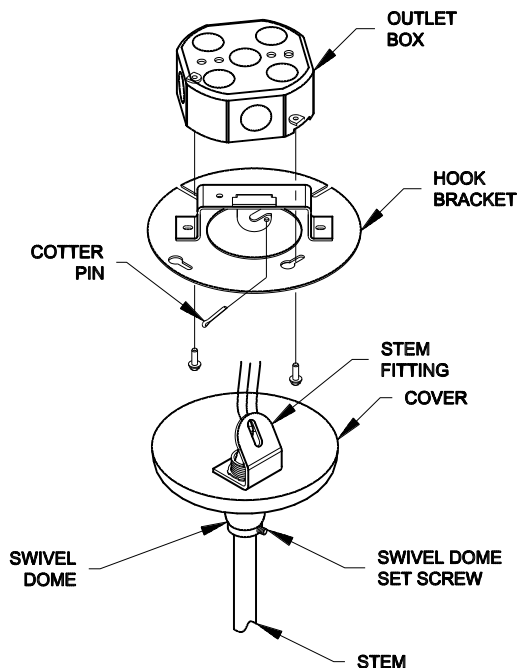
WARNING

**FAILURE TO TIGHTEN SET SCREW COULD CAUSE
FIXTURE TO FALL RESULTING IN INJURY, DEATH
OR SERIOUS PROPERTY DAMAGE.**

AVERTISSEMENT

**NE PAS SERRER CORRECTEMENT LA VIS DE
RÉGLAGE PEUT PROVOQUER LA CHUTE DE LA
FIXATION ET CAUSER DES BLESSURES,
PROVOQUER LA MORT OU DE SÉRIEUX
DOMMAGES MATÉRIELS.**

Figure 4



GR1324

2.4 Electrical Connection of Optical housing to Electrical Housing (Figure 5, 7)

2.4.1 Determine length of conduit/supply wires needed to connect the Electrical Housing to the Optical Housing. Be sure to maintain a minimum length of 5 feet to ensure required minimum mounting distance between optical and electrical housings. Maximum lengths are based on wire gage and can be found on Table 2.

2.4.2 The supply wires should extend 6 inches beyond the flex conduit for wiring inside the Electrical Housing junction box and outlet box.

2.4.3 Open the junction box mounted to the top of the Electrical Housing by loosening the wingnut securing the two halves of the box together such that the lid can rotate on its hinge.

2.4.4 Feed connection wires into Electrical Housing junction box via the knockout holes in the lid

2.4.5 Connect each set of stem conductor leads to a set of input leads. Be sure to label each set of input leads in case of future maintenance. Make all wiring connections in accordance with all local electrical codes.

2.4.6 Attach flex conduit to Electrical Housing junction box via the 3/4" NPT knockouts

2.4.7 Feed wires at the other end of the flex conduit into customer provided outlet box that the Optical Housing is mounted to and make all wiring connections in accordance with all local electrical codes.

2.4.8 Do not pull supply leads beyond 6 inches or electrical housing wire connections could be pinched or damaged.

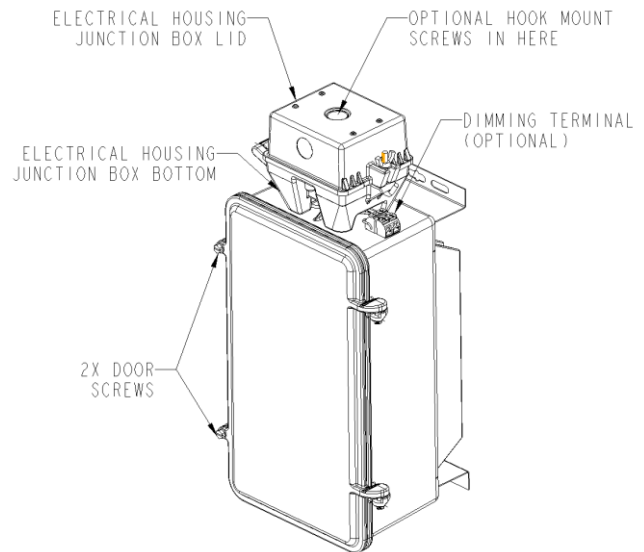
2.5.1.1 After accessing the Electrical Housing, retrieve supply connection leads and feed them back through the top of the Electrical Housing back into the junction box.

2.5.1.2 Close the Electrical Housing. Ensure all leads are completely inside enclosure and not pinched.

2.5.2 For supply wiring, make all wiring connections in accordance with all local electrical codes.

2.5.3 Shut junction box lid and tighten wingnut onto the supplied J-bolt, ensuring all leads are completely inside enclosure and not pinched.

Figure 5



GR2440

TABLE 2

Maximum Supply Lead Length for Remote PHZL

WIRE GAGE	MAX. LENGTH (FEET)
18 AWG	70
16 AWG	120
14 AWG & larger	150

CAUTION

MOUNT ELECTRICAL HOUSING 4 FEET AWAY HORIZONTALLY FROM THE OPTICAL HOUSING TO ENSURE ELECTRICAL COMPONENTS DO NOT EXCEED THEIR MAX TEMPERATURE LIMITS.

2.5 Electrical Housing Supply Wiring (Figure 5, 7)

2.5.1 Supply wiring connections to the Electrical Housing are to be made inside the junction box mounted on top (Figure 5). Supply connection leads should be present inside the junction box. If supply connection leads are not present inside the Electrical Housing junction box, refer to section 3.1 on how to access the Electrical Housing.

2.6 Optional 0-10V DC Dimming Wiring (Figure 5)

2.6.1 Optional low voltage dimming terminal is located on top of the Electrical Housing.

2.6.2 Connect supply dimming leads to the Gray (-) and Violet (+) DC dimming leads located on the dimming terminal.

2.7 Flex Conduit to Stem Wiring

2.7.1 For Flex Conduit wiring, remove (1) KO from junction box (not provided) and insert flex conduit fitting into KO and secure in place.

2.7.2 Connect green lead to ground lead.

2.7.3 Connect each set of stem conductor leads to a set of input leads. Be sure to label each set of input leads in case of future maintenance.

2.7.4 Close junction box and secure Swivel Dome per section 2.3

2.8 Electrical Housing - Hook Mounting

2.8.1 Mounting hook (shipped separate from RPHZL fixture) is installed via the threaded hole at the top of the Electrical Housing junction box (Figure 5)

2.8.2 Apply sealant evenly to threads of the hook assembly.

2.8.3 Thread hook tightly into top of Electrical housing junction box.

2.8.4 Wipe away excess adhesive.

2.8.5 Hang the Electrical Housing on a structure that is properly sized and attached to support the weight of the Electrical Housing

2.8.6 Tighten screw in hook to 25-35 ft lbs.

2.8.7 Proceed to section 2.8 for wiring.

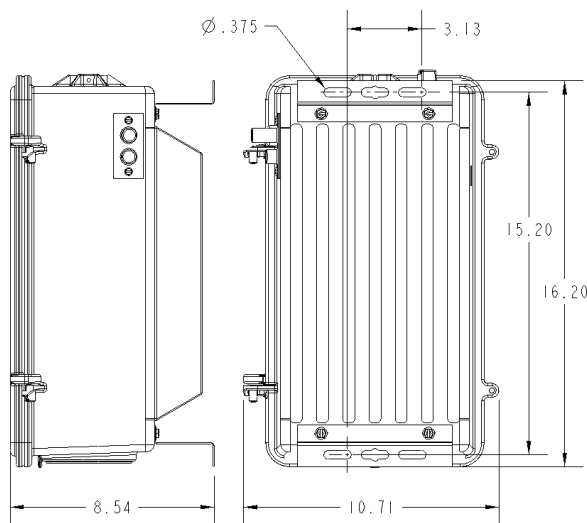
2.6 Electrical Housing - Surface Mounting (Figure 6)

2.6.1 Mount Electrical Housing to vertical or horizontal surface that can support the weight of the Electrical Housing. If mounted vertically, orient Electrical Housing with hook on top.

2.6.2 Mounting position locations are show in Figure 6

2.6.3 Mount Electrical Housing using fasteners properly sized to support the weight of the Electrical Housing (fasteners not provided).

Figure 6



ZE:4 by 4 SHEET 2 OF 2

GR2435

2.10 Safety Chain Option

2.10.1 Safety chain option comes attached to the Optical housing. Attach loose end to building structure leaving no more than three inches of slack. Leaving more than three inches of slack will allow a long free-fall, resulting in a large impact load and possible structural failure.

WARNING

LEAVE NO MORE THAN THREE INCHES OF SLACK IN THE CHAIN WHEN ATTACHING TO THE BUILDING STRUCTURE. LEAVING MORE SLACK WILL ALLOW A LONGER FREE-FALL, A RESULTING LARGER IMPACT LOAD AND POSSIBLE STRUCTURAL FAILURE. FAILURE TO INSTALL THE CHAIN AS INSTRUCTED MAY RESULT IN INJURY OR DEATH OR SIGNIFICANT PROPERTY DAMAGE.

AVERTISSEMENT

NE PAS LAISSER PLUS DE TROIS POUCES DE JEU À LA CHAÎNE LORS DE LA FIXATION À LA STRUCTURE DE L'ÉDIFICE. LAISSER PLUS DE JEU PERMETTRAIT UNE PLUS LONGUE CHUTE LIBRE, UN IMPACT DE CHARGE PLUS IMPORTANT ET UNE POSSIBLE DÉFAILLANCE DE LA STRUCTURE. NE PAS INSTALLER LA CHAÎNE SELON LES INSTRUCTIONS PEUT PROVOQUER DES BLESSURES, LA MORT OU DE SÉRIEUX DOMMAGES MATÉRIELS.

3.0 Maintenance

3.1 Electrical Component Replacement (Driver, Surge protector) (Figure 5, 7)

3.1.1 Disconnect power to the luminaire location before maintenance.

3.1.2 Open electrical door by loosening (2) door screws such that the door can rotate on its hinges. Do not completely remove the door screws. Do not lift door off its hinges.

3.1.3 Tag leads before disconnecting if they are not already labeled.

3.1.4 Replace components using Holophane approved replacement parts.

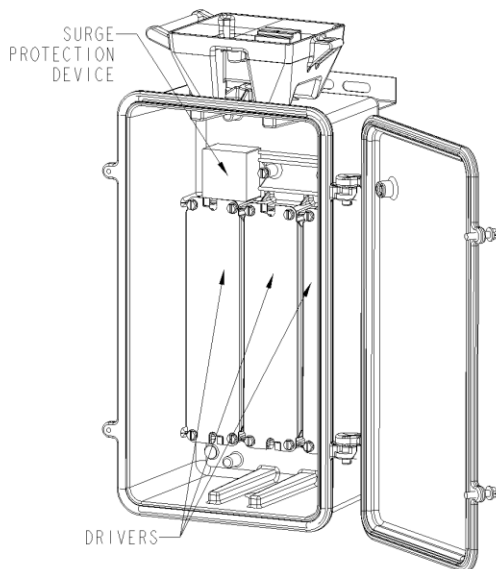
3.1.5 Re-connect electrical leads

3.1.6 Shut electrical door and tighten door screws, ensuring all leads are completely inside enclosure and not pinched.

3.2 Optical Housing

3.2.1 There are no user serviceable parts in the Optical Housing.

Figure 7



GR2441

4.0 Limited Warranty and Limitation of Liability

4.1 5-year limited warranty. Complete warranty terms located at:

www.acuitybrands.com/CustomerResources/Terms_and_Conditions



Acuity Brands Lighting, Inc.
3825 Columbus Rd., Granville, OH 43023

IM-394 1/18 ©2016 Acuity Brands Lighting, Inc.
All Rights Reserved.

Visit our web site at www.holophane.com