

**READ AND FOLLOW ALL SAFETY INSTRUCTIONS!  
SAVE THESE INSTRUCTIONS AND DELIVER TO OWNER AFTER INSTALLATION**

- To reduce the risk of death, personal injury or property damage from fire, electric shock, falling parts, cuts/abrasions, and other hazards please read all warnings and instructions included with and on the fixture box and all fixture labels.
- Before installing, servicing, or performing routine maintenance upon this equipment, follow these general precautions.
- Installation and service of luminaires should be performed by a **qualified licensed electrician**.
- Maintenance of the luminaires should be performed by person(s) familiar with the luminaires' construction and operation and any hazards involved. Regular fixture maintenance programs are recommended.
- It will occasionally be necessary to clean the outside of the refractor/lens. Frequency of cleaning will depend on ambient dirt level and minimum light output which is acceptable to user. Refractor/lens should be washed in a solution of warm water and any mild, non-abrasive household detergent, rinsed with clean water and wiped dry. Should optical assembly become dirty on the inside, wipe refractor/lens and clean in above manner, replacing damaged gaskets as necessary.
- **DO NOT INSTALL DAMAGED PRODUCT!** This luminaire has been properly packed so that no parts should have been damaged during transit. Inspect to confirm. Any part damaged or broken during or after assembly should be replaced.
- Recycle: For information on how to recycle LED electronic products, please visit [www.epa.gov](http://www.epa.gov).
- These instructions do not purport to cover all details or variations in equipment nor to provide every possible contingency to meet in connection with installation, operation, or maintenance. Should further information be desired or should particular problems arise which are not covered sufficiently for the purchaser's or owner's purposes, this matter should be referred to Acuity Brands Lighting, Inc.



**WARNING  
RISK OF ELECTRIC SHOCK**

- ✓ Disconnect or turn off power before installation or servicing.
- ✓ Verify that supply voltage is correct by comparing it with the luminaire label information.
- ✓ Make all electrical and grounded connections in accordance with the National Electrical Code (NEC) and any applicable local code requirements.
- ✓ All wiring connections should be capped with UL approved recognized wire connectors.



**WARNING  
RISK OF BURN**

- ✓ Allow lamp/fixture to cool before handling. Do not touch enclosure or light source.
- ✓ Do not exceed maximum wattage marked on luminaire label.
- ✓ Follow all manufacturer's warnings, recommendations and restrictions for: driver type, burning position, mounting locations/methods, replacement and recycling.



**CAUTION  
RISK OF INJURY**

- ✓ Wear gloves and safety glasses at all times when removing luminaire from carton, installing, servicing or performing maintenance.
- ✓ Avoid direct eye exposure to the light source while it is on.



**CAUTION  
RISK OF FIRE**

- ✓ Keep combustible and other materials that can burn, away from lamp/lens.
- ✓ Do not operate in close proximity to persons, combustible materials or substances affected by heat or drying.

## LED IMPORTANT SAFETY INSTRUCTIONS



### CAUTION: RISK OF PRODUCT DAMAGE

- ✓ Never connect components under load.
- ✓ Do not mount or support these fixtures in a manner that can cut the outer jacket or damage wire insulation.
- ✓ Unless individual product specifications deem otherwise: Never connect an LED product directly to dimmer packs, occupancy sensors, timing devices, or other related control devices. LED fixtures must be powered directly off a switched circuit.
- ✓ Unless individual product specifications deem otherwise: Do not restrict fixture ventilation. Allow for some volume of airspace around fixture. Avoid covering LED fixtures with insulation, foam, or other material that will prevent convection or conduction cooling.
- ✓ Unless individual product specifications deem otherwise: Do not exceed fixtures maximum ambient temperature.
- ✓ Only use fixture in its intended location.
- ✓ LED products are Polarity Sensitive. Ensure proper Polarity before installation.
- ✓ Electrostatic Discharge (ESD): ESD can damage LED fixtures. Personal grounding equipment must be worn during all installation or servicing of the unit.
- ✓ Do not touch individual electrical components as this can cause ESD, shorten lamp life, or alter performance.
- ✓ Some components inside the fixture may not be serviceable. In the unlikely event your unit may require service, stop using the unit immediately and contact an ABL representative for assistance.
- ✓ Always read the fixtures complete installation instructions prior to installation for any additional fixture specific warnings.

**Please see product specific installation instructions for additional warnings or any applicable FCC or other regulatory statements.**

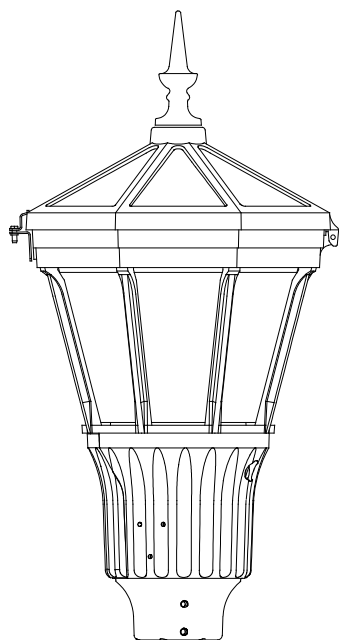
**Failure to follow any of these instructions could void product warranties. For a complete listing of product Terms and Conditions, please visit [www.acuitybrands.com](http://www.acuitybrands.com).**

<b>Our Brands</b>	<b>Indoor/Outdoor</b> Lithonia Lighting Carandini Holophane RELOC	<b>Indoor Lighting</b> Gotham Mark Architectural Lighting Peerless Renaissance Lighting Winona Lighting	<b>Outdoor Lighting</b> American Electric Lighting Antique Street Lamps Hydrel Tersen	<b>Controls</b> DARK TO LIGHT Lighting Control & Design ROAM Sensor Switch Synergy
-------------------	---	--	---	---

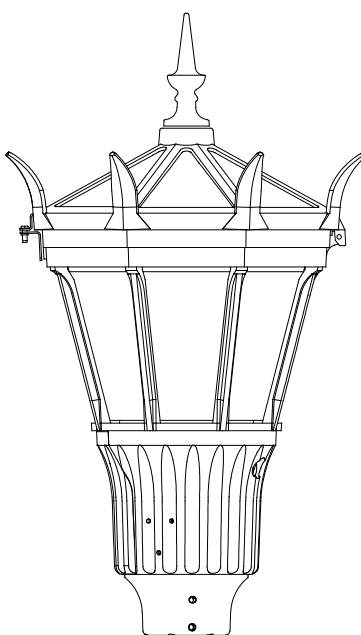
**Acuity Brands Lighting, Inc. assumes no responsibility for claims arising out of improper or careless installation or handling of its products.**

ABL LED General Warnings, Form No. 503.203

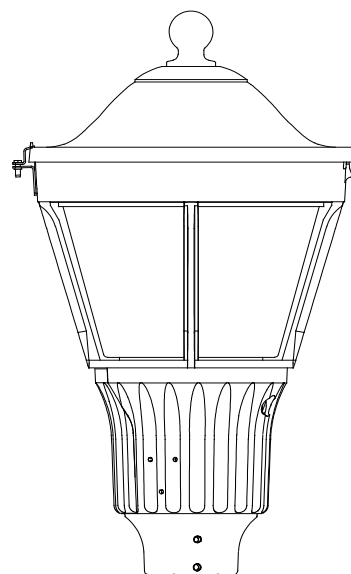
© 2011 Acuity Brands Lighting, Inc. All rights reserved. 3/15/11



Utility Arlington® LED



Utility Jefferson® LED



Utility PosTop® LED

GR1955, GR1956, GR1957

## 1. INTRODUCTION

### 1.1 Product Description.

This post top luminaire is designed with LED's which do not require replacement.

The luminaire includes a plug-in electrical module that contains the photocontrol receptacle when specified. These modules are common to all luminaire styles in this series.

This device complies with Part 15 of the FCC Rules. Operation is subject to the following two conditions: (1) this device may not cause harmful interference, and (2) this device must accept any interference received, including interference that may cause undesired operation.

### 1.2 Alternate Information Sources.

Holophane  
Field Service Department  
P.O. Box 3004  
Newark, OH 43058-3004  
(866) 759-1577

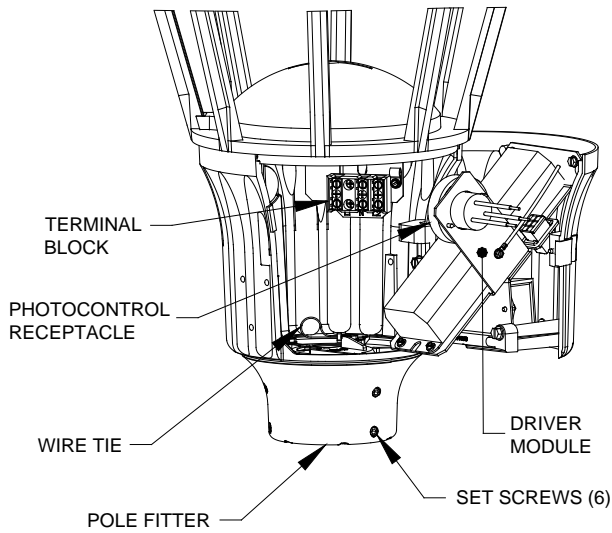
## 2. INSTALLATION

### 2.1 Tools and Material Required.

Table 1. Installation Tools and Materials

DESCRIPTION	USE
Flat-end Screwdriver	Installation of electrical wiring
3/16" Allen Wrench	3/8" set screws in pole fitter
Torque Wrench	Set screws

Figure 1



GR1862

## 2.2 Luminaire Installation.

**2.2.1** This luminaire is designed to be installed on a bracket or a pole top with a 3" tenon fitter. A latched door on the side of the housing allows access to the driver module and electrical connections. The electrical driver module may remain in place while installing on this fitter.

**2.2.2** The luminaire comes with leads pre-wired to terminal block.

**2.2.2.1** If leads are not required, remove by opening latched door and loosening the incoming lead terminal block screws. Discard leads. Proceed to section 2.2.3. See Figure 1.

**2.2.2.2** If leads are required, make electrical connections per local code. Proceed to section 2.2.4, then section 2.2.6.

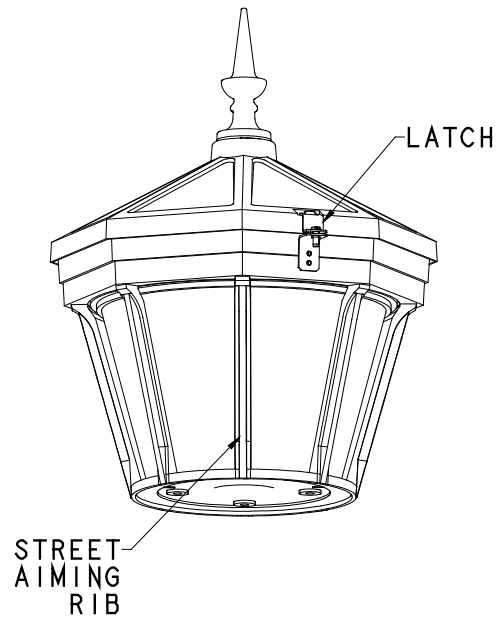
**2.2.3** Insert the electrical supply wiring into the luminaire's electrical chamber through the hole in the pole fitter.

**2.2.4** Set the luminaire on its mounting (bracket, tenon, pole top), being careful not to pinch the supply wires. Orient and level the luminaire before tightening all six set screws. Alternate tightening of the set screws will assist in leveling and insuring proper attachment. Tighten the set screws to 10 to 12 ft-lbs of torque. See Figure 1.

### OPTIC ORIENTATION NOTES

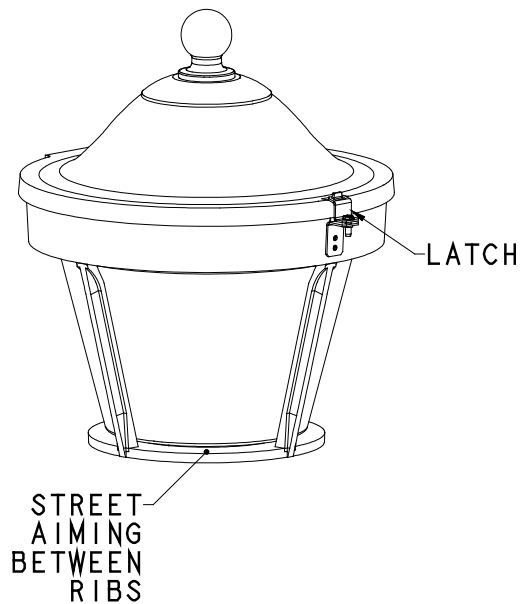
Some of the luminaires in this series are equipped with optical components that produce distributions of light that are not symmetric. The optic can be aimed using the following drawings. Figure 2 shows the proper orientation for "Street side" in the ARUE2 and JFUE2 series and Figure 3 shows the "Street side" in PTUE2 series. Notice that the latch is used as a guide.

Figure 2



GR1958

Figure 3



GR1959

**2.2.5** Pass the supply conductors through the wire tie provided, leave enough length for connections. See Figure 1.

**2.2.6** Connect the electrical supply wires to the terminal block in the back of the electrical chamber. The terminals are marked "L1" (Line 1), "G" (Ground), and "L2" (Line 2). If one of the supply lines is electrically neutral, it should be connected to terminal "L2".

**2.2.7** For units equipped with 0-10V dimming, locate the gray and violet leads coming off of the driver. If the unit is to be connected to dimming control gear (not included), trim, strip, and connect these leads according to the dimming control gear manufacturer's

instructions. The violet lead is positive, and the gray lead is negative. If the unit is not to be connected to dimming control gear, leave the leads individually capped.

### CAUTION

LEADS USED FOR DIMMING CONTROLS ARE TO BE SEPARATED FROM MAIN POWER CONDUCTORS IN A MANNER TO SATISFY STATE AND LOCAL CODES.

**2.2.8** Units supplied with a photo control option require a shorting plug or a twist lock photo control to be installed. Install the device by twisting it clockwise. See Figure 1.

### CAUTION

A PHOTO CONTROL THAT MEETS THE REQUIREMENTS OF ANSI C136.10 AND WITH A CLEAR WINDOW ON THE SIDE THAT EXPOSES THE PHOTOCELL MUST BE USED.

**2.2.9** Return internal wiring to original locations and tighten wire tie around supply wires.

**2.2.10** Close the housing by carefully swinging door shut while ensuring no leads are pinched. Engage and secure the latch.

**2.2.11** Energize the unit and check for proper operation.

## 3. MAINTENANCE

### 3.1 Cleaning

**3.1.1** Make sure the unit is de-energized.

**3.1.2** Wipe off exterior dirt and debris using a soft, clean cloth.

### CAUTION

DO NOT USE ABRASIVE CLEANSERS ON OPTICAL SURFACES. THEIR USE MAY RESULT IN THE LOSS OF OPTICAL EFFICIENCY.

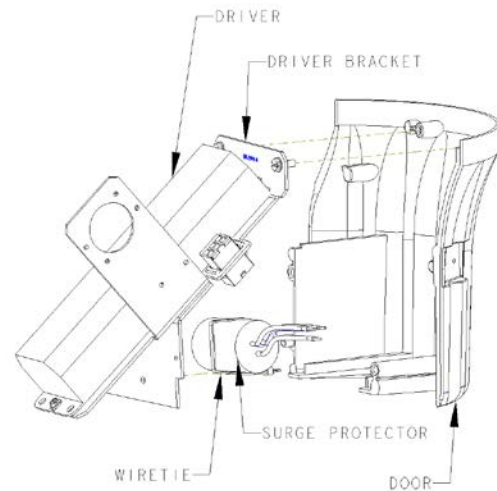
### 3.2 Electrical Component Replacement

**3.2.1** Make sure the unit is de-energized. Open housing door by unscrewing latch and swinging open.

**3.2.2 To replace photocontrol.** (If provided) Make sure the unit is de-energized. Twist counterclockwise and remove. Replace with equivalent photocontrol. See Figure 1. If no other components are to be replaced go to Section 3.2.6.

**3.2.3 To replace driver.** Make sure the unit is de-energized. Disconnect input and output via quick disconnects and remove (2) mounting screws. Replace with Holophane approved driver. See Figure 4. If no other components are to be replaced go to Section 3.2.6.

Figure 4



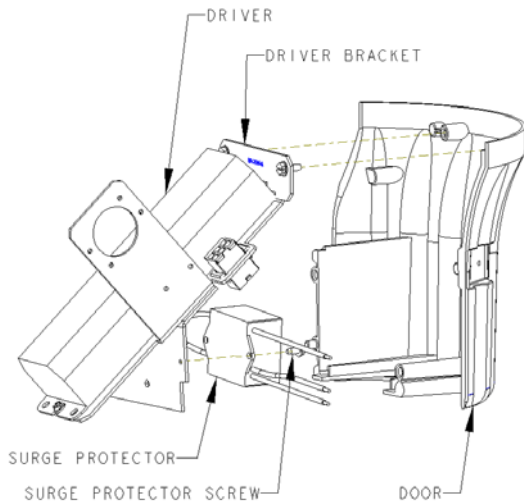
GR2661

**3.2.4 To remove surge protector,** disconnect quick disconnect plug coming from terminal and quick disconnect going to optical compartment. Remove (2) screws connecting driver bracket to door; retain screws for re-installation. Disconnect surge protector via quick disconnect.

**3.2.4.1** For standard units, cut wiretie to remove surge protector. Replace with Holophane approved device. Secure to driver bracket with wiretie. Reconnect quick disconnect. See Figure 4.

**3.2.4.2** For 20K optioned units, remove surge protector by removing screw. Retain for re-installation. Replace with Holophane approved device. Secure to driver bracket with screw torqued to 15 in-lb. Reconnect quick disconnect. See Figure 5. Replace driver bracket and screws. Reconnect quick disconnect plug from terminal block and quick disconnect plug going to optical compartment. If no other components are to be replaced go to Section 3.2.6.

Figure 5



GR2662

**3.2.5 To remove driver module**, disconnect quick disconnect plug coming from terminal and quick disconnect going to optical compartment. Remove (2) screws connecting driver bracket to door, retain screws for re-installation. Reinstall new driver module in door. Reconnect quick disconnect plugs from terminal block and quick disconnect plug going to optical compartment. See figure 3.

**3.2.6** Bundle and secure the wiring in a manner similar to the way it was originally secured to avoid pinching of wires when re-installing the module into the housing.

**3.2.7** Close the housing by carefully swinging door shut while ensuring no leads are pinched. Engage and secure the latch.

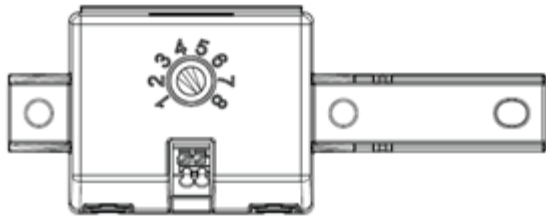
**3.2.8** Energize the unit and check for proper operation.

#### 4. LIMITED WARRANTY AND LIMITATION OF LIABILITY

The Holophane limited warranty and limitation of liability is published in the "Terms and Conditions" section of the current Holophane buyer's guide, and is available from your local Holophane sales representative.

#### 5. AO and P7/P7E options

When P7 or P7E options are ordered with AO, driver dimming leads are wired to the AO module. The 7-pin receptacle dimming leads (Pins 4 & 5) are routed to the driver tray but are capped off enabling a transfer of driver dimming wires from the AO module to the 7-pin receptacle. These leads must be disconnected from the AO module and reconnected to the P7 receptacle (Pins 4 and 5) for an adaptive control to function when installed in the P7/P7E receptacle.



## Field Adjustable Output Module

The Field Adjustable Output (AO) module is an onboard device that adjusts the light output and input wattage to meet site specific requirements, allowing a single fixture configuration to be flexibly applied in many different applications. The AO option is available on the ARUE2, ARUE2RETRO, JFUE2, JFUE2RETRO and PTUE2 series. The following data tables are for the **AS** and **AH** voltage options.

P10 - AS ONLY		
AO Position	% Lumens	% Wattage
8	100%	100%
7	100%	100%
6	100%	100%
5	88%	88%
4	76%	76%
3	63%	64%
2	52%	54%
1	39%	42%

P40 - AS ONLY		
AO Position	% Lumens	% Wattage
8	100%	100%
7	100%	100%
6	100%	100%
5	88%	88%
4	76%	74%
3	64%	62%
2	52%	51%
1	40%	39%

P20 - AS ONLY		
AO Position	% Lumens	% Wattage
8	100%	100%
7	100%	100%
6	100%	100%
5	88%	88%
4	76%	76%
3	63%	64%
2	52%	54%
1	39%	42%

P50 - AS ONLY		
AO Position	% Lumens	% Wattage
8	100%	100%
7	100%	100%
6	100%	100%
5	89%	87%
4	78%	74%
3	66%	61%
2	54%	50%
1	41%	38%

P30 - AS ONLY		
AO Position	% Lumens	% Wattage
8	100%	100%
7	100%	100%
6	100%	100%
5	88%	88%
4	76%	74%
3	64%	62%
2	52%	51%
1	40%	39%

Field Adjustable Output Module (continues)

P10 - AH ONLY		
AO Position	% Lumens	% Wattage
8	100%	100%
7	100%	100%
6	100%	100%
5	88%	88%
4	76%	75%
3	63%	64%
2	52%	53%
1	39%	41%

P40 - AH ONLY		
AO Position	% Lumens	% Wattage
8	100%	100%
7	100%	100%
6	100%	100%
5	88%	88%
4	76%	75%
3	64%	63%
2	52%	51%
1	40%	40%

P20 - AH ONLY		
AO Position	% Lumens	% Wattage
8	100%	100%
7	100%	100%
6	100%	100%
5	88%	88%
4	76%	75%
3	63%	64%
2	52%	53%
1	39%	41%

P50 - AH ONLY		
AO Position	% Lumens	% Wattage
8	100%	100%
7	100%	100%
6	100%	100%
5	89%	88%
4	78%	75%
3	66%	63%
2	54%	51%
1	41%	39%

P30 - AH ONLY		
AO Position	% Lumens	% Wattage
8	100%	100%
7	100%	100%
6	100%	100%
5	88%	88%
4	76%	75%
3	64%	63%
2	52%	51%
1	40%	40%



An **Acuity Brands** Company  
**Acuity Brands Lighting, Inc.**  
 3825 Columbus Rd SW, Granville, OH 43023

IM-432, 4/18/11 ©2011 Acuity Brands Lighting Inc.,  
 All Rights Reserved

Visit our web site at [www.holophane.com](http://www.holophane.com)

Printed in USA