



**READ AND FOLLOW ALL SAFETY INSTRUCTIONS!**  
**SAVE THESE INSTRUCTIONS AND DELIVER TO OWNER AFTER INSTALLATION**

- To reduce the risk of death, personal injury or property damage from fire, electric shock, falling parts, cuts/abrasions, and other hazards please read all warnings and instructions included with and on the fixture box and all fixture labels.
- Before installing, servicing, or performing routine maintenance upon this equipment, follow these general precautions.
- Installation and service of luminaires should be performed by a **qualified licensed electrician**.
- Maintenance of the luminaires should be performed by person(s) familiar with the luminaires' construction and operation and any hazards involved. Regular fixture maintenance programs are recommended.
- It will occasionally be necessary to clean the outside of the refractor/lens. Frequency of cleaning will depend on ambient dirt level and minimum light output which is acceptable to user. Refractor/lens should be washed in a solution of warm water and any mild, non-abrasive household detergent, rinsed with clean water and wiped dry. Should optical assembly become dirty on the inside, wipe refractor/lens and clean in above manner, replacing damaged gaskets as necessary.
- **DO NOT INSTALL DAMAGED PRODUCT!** This luminaire has been properly packed so that no parts should have been damaged during transit. Inspect to confirm. Any part damaged or broken during or after assembly should be replaced.
- Recycle: For information on how to recycle LED electronic products, please visit [www.epa.gov](http://www.epa.gov).
- These instructions do not purport to cover all details or variations in equipment nor to provide every possible contingency to meet in connection with installation, operation, or maintenance. Should further information be desired or should particular problems arise which are not covered sufficiently for the purchaser's or owner's purposes, this matter should be referred to Acuity Brands Lighting, Inc.




**WARNING**  
RISK OF ELECTRIC SHOCK

- ✓ Disconnect or turn off power before installation or servicing.
- ✓ Verify that supply voltage is correct by comparing it with the luminaire label information.
- ✓ Make all electrical and grounded connections in accordance with the National Electrical Code (NEC) and any applicable local code requirements.
- ✓ All wiring connections should be capped with UL approved recognized wire connectors.




**WARNING**  
RISK OF BURN

- ✓ Allow lamp/fixture to cool before handling. Do not touch enclosure or light source.
- ✓ Do not exceed maximum wattage marked on luminaire label.
- ✓ Follow all manufacturer's warnings, recommendations and restrictions for: driver type, burning position, mounting locations/methods, replacement and recycling.



**CAUTION**  
RISK OF INJURY

- ✓ Wear gloves and safety glasses at all times when removing luminaire from carton, installing, servicing or performing maintenance.
- ✓ Avoid direct eye exposure to the light source while it is on.



**CAUTION**  
RISK OF FIRE

- ✓ Keep combustible and other materials that can burn, away from lamp/lens.
- ✓ Do not operate in close proximity to persons, combustible materials or substances affected by heat or drying.



**CAUTION: RISK OF PRODUCT DAMAGE**

- ✓ Never connect components under load.
- ✓ Do not mount or support these fixtures in a manner that can cut the outer jacket or damage wire insulation.
- ✓ Unless individual product specifications deem otherwise: Never connect an LED product directly to a dimmer packs, occupancy sensors, timing devices, or other related control devices. LED fixtures must be powered directly off a switched circuit.
- ✓ Unless individual product specifications deem otherwise: Do not restrict fixture ventilation. Allow for some volume of airspace around fixture. Avoid covering LED fixtures with insulation, foam, or other material that will prevent convection or conduction cooling.
- ✓ Unless individual product specifications deem otherwise: Do not exceed fixtures maximum ambient temperature.
- ✓ Only use fixture in its intended location.
- ✓ LED products are Polarity Sensitive. Ensure proper Polarity before installation.
- ✓ Electrostatic Discharge (ESD): ESD can damage LED fixtures. Personal grounding equipment must be worn during all installation or servicing of the unit.
- ✓ Do not touch individual electrical components as this can cause ESD, shorten lamp life, or alter performance.
- ✓ Some components inside the fixture may not be serviceable. In the unlikely event your unit may require service, stop using the unit immediately and contact an ABL representative for assistance.
- ✓ Always read the fixtures complete installation instructions prior to installation for any additional fixture specific warnings.

**Please see product specific installation instructions for additional warnings or any applicable FCC or other regulatory statements.**

**Failure to follow any of these instructions could void product warranties. For a complete listing of product Terms and Conditions, please visit [www.acuitybrands.com](http://www.acuitybrands.com).**

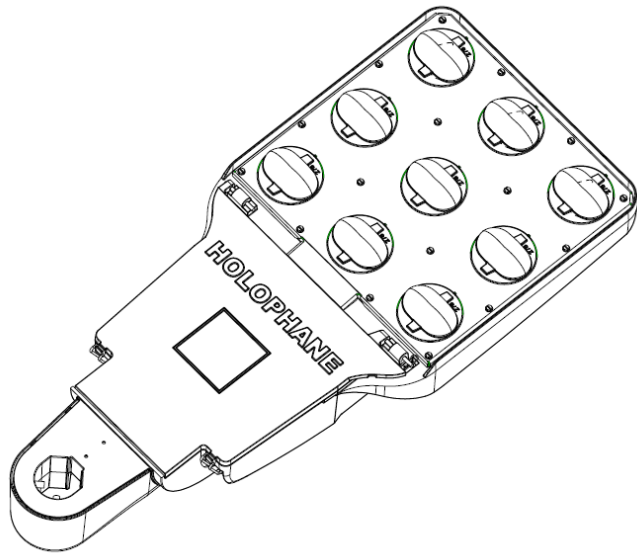
<b>Our Brands</b>	<b>Indoor/Outdoor</b> Lithonia Lighting Carandini Holophane RELOC	<b>Indoor Lighting</b> Gotham Mark Architectural Lighting Peerless Renaissance Lighting Winona Lighting	<b>Outdoor Lighting</b> American Electric Lighting Antique Street Lamps Hydrel Tersen	<b>Controls</b> DARK TO LIGHT Lighting Control & Design ROAM Sensor Switch Synergy
-------------------	---	--	---	---

**Acuity Brands Lighting, Inc. assumes no responsibility for claims arising out of improper or careless installation or handling of its products.**

ABL LED General Warnings, Form No. 503.203

© 2011 Acuity Brands Lighting, Inc. All rights reserved. 3/15/11

- Torque Wrench (ft.-lbs.)
- Phillips Head Screw Driver
- Mounting Bolts
- Photocontrol Adjustment

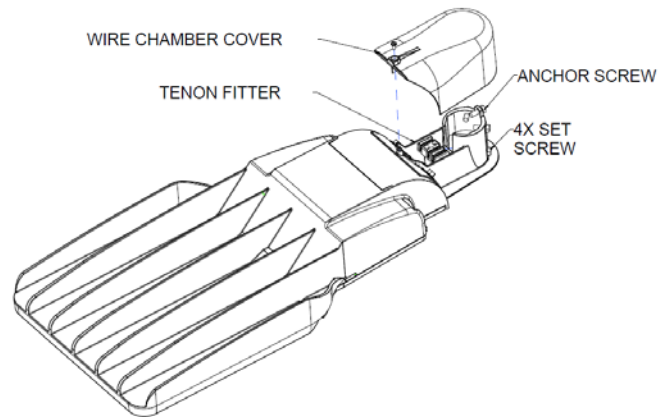


GR2118

**2.2 Tenon Mounting**

- 2.2.1** Loosen the screw holding the wire chamber cover to the tenon fitter and remove the cover.
- 2.2.2** Being careful not to pinch supply wires, slide the fixture onto the tenon until the tenon seats against the anchor screw. See Figure 1.

Figure 1



GR2119

- 2.2.3** Align the fixture as necessary and then adjust the appropriate set screws until the base of the tenon fitter is level.
- 2.2.4** Tighten the set screws from 10-12 ft.-lbs. do not exceed torque.
- 2.2.5** Make the appropriate electrical connections. If not using a terminal block use wire rated for at least 75 degree C.
- 2.2.6** Supply wire connections may be made either in the tenon fitter wire area or housing. Tenon is standard.
- 2.2.7** Secure the supply wires with a wire tie in such a way as to relieve stress on the wire connections.
- 2.2.8** Replace the wire chamber cover and tighten the screw.

**CAUTION**

BE CERTAIN THAT NO WIRING IS PINCHED BETWEEN THE WIRE CHAMBER COVER AND TENON FITTER.

- 2.2.9** Electrically energize the unit and check for proper operation.

**2.3 Horizontal Arm Mounting**

- 2.3.1** Loosen the screw holding the wire chamber cover in place and remove the cover.
- 2.3.2** Being careful not to pinch the supply wires, slide the fixture onto the mounting arm until the seats against the internal stops.
- 2.3.3** Align the fixture as necessary and then adjust the appropriate clamp bolts until the fitter is level. See figure 2.
- 2.3.4** Tighten the clamp bolts for 15-17 ft.-lbs.
- 2.3.5** Follow steps beginning at 2.2.5

**1 INTRODUCTION**

**1.1 Product Description**

The Mongoose LED luminaire has been listed to applicable U.S. & Canadian safety standards by Underwriters Laboratories Inc. It is suitable for use in wet locations and ambient temperatures up to 40°C.

This device complies with Part 15 of the FCC Rules. Operation is subject to the following two conditions: (1) this device may not cause harmful interference, and (2) this device must accept any interference received, including interference that may cause undesired operation.

- The LED driver/door assembly can be detached for repair by unlatching door latches, one cotter pin, and unplugging electrical connectors.

**1.2 Alternate Information Sources.** If additional questions arise relative to these luminaires that this document or your supplier cannot answer, please refer them to:

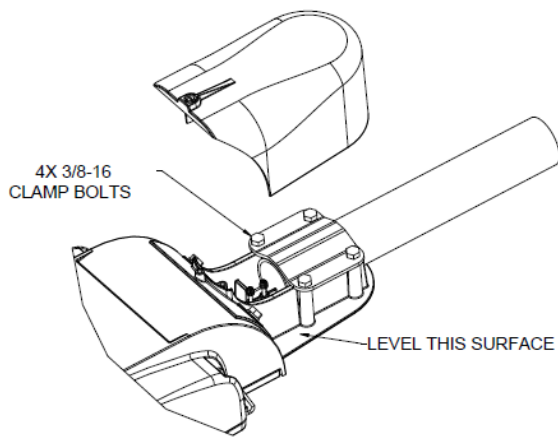
Holophane  
Field Service Department  
P.O. Box 3004  
Newark, OH 43058-3004  
(740) 345-9631

**2 INSTALLATION**

**2.1 Tools and Materials Required.**

DESCRIPTION	USE
Wrench for 9/16" Hex	Mounting Bolts
Flat-end screwdriver	Terminal Block/Clamp Band

Figure 2

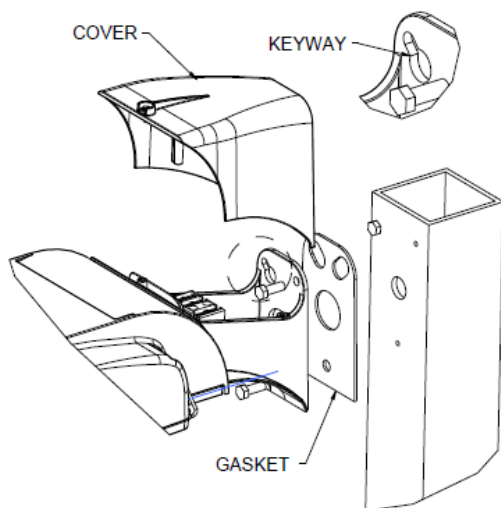


GR2120

## 2.4 Architectural Arm Mounting

- 2.4.1 Loosen the screw holding the wire chamber cover in place and remove the cover.
- 2.4.2 Start one of the mounting bolts in the hole that corresponds to the keyway in the fitter.
- 2.4.3 Place supplied gasket between arm and pole. See Figure 3.
- 2.4.4 Line up the keyway with this bolt and use it to hang the fixture. See Figure 3.
- 2.4.5 Tighten the bolts from 15-17 ft-lbs.
- 2.4.6 Follow steps 2.2.5.

Figure 3



GR2119

## 2.5 Photocontrol Option

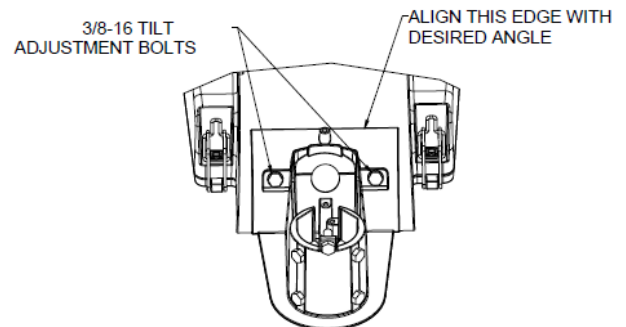
Skip to next step if unit does not have a photocontrol receptacle.

- 2.5.1 Locate the photocontrol receptacle on the top of the unit and remove protective cover. Loosen the two screws and rotate the receptacle until it points north. Retighten the screws. Install a twist-on type photocontrol into the receptacle.

## 2.6 Tilt Adjustment

- 2.6.1 Loosen the tilt adjustment bolts until the body of the fixture is free to rotate on the flange of the fitter.
- 2.6.2 Using the top of the fitter flange as a guide, rotate the fixture body to the desired tilt setting. See figure 4.
- 2.6.3 Tighten the bolts to 20 ft-lbs

Figure 4



GR2121

## 3 MAINTENANCE

### 3.1 Cleaning of Luminaire

- 3.1.1 Wipe off exterior dirt and debris using a soft clean cloth. A mild detergent and water may be used if necessary.

#### CAUTION

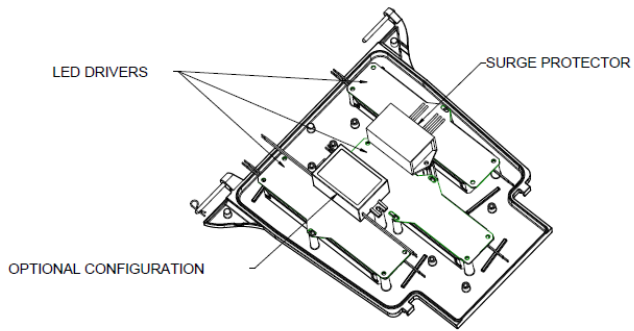
DO NOT USE ABRASIVE CLEANERS ON OPTICAL SURFACES. THEIR USE MAY RESULT IN THE LOSS OF OPTICAL EFFICIENCY.

### 3.2 Electrical Component Replacement

- 3.2.1 Disconnect power to the unit prior to opening and performing any maintenance.
- 3.2.2 Access to the LED modules should be performed by qualified personnel experienced with solid state lighting only. Contact factory for support.
- 3.2.3 Surge Protector Replacement: See Figure 5. Locate the surge protector. Disconnect the surge protector via the wiring quick disconnects. Remove the screws holding the surge protectors in place and retain. Carefully remove the surge protector and install the new Holophane approved surge protectors in the same orientation with the original screws. Re-connect the surge protectors' quick disconnects.
- 3.2.4 LED Driver Replacement: Before removing components, disconnect driver input and output leads nearest the driver via the quick disconnects. Remove the (4) driver screws to remove the driver from the electrical door; retain screws for reuse. Install new Holophane approved driver and tighten screws securely. Reconnect all driver input and output leads.

Figure 5

---



---

GR2119

#### 4 Limited Warranty and Limitation of Liability

The Holophane limited warranty and limitation of liability is published in the "Terms and Conditions" section of the current Holophane buyer's guide, and is available from your local Holophane sales representative.



Acuity Lighting Group, Inc.  
214 Oakwood Ave., Newark, OH 43055

IM-352-D 9/10 ©2014 Acuity Brands Inc.

Visit our web site at [www.holophane.com](http://www.holophane.com)