

READ AND FOLLOW ALL SAFETY INSTRUCTIONS! SAVE THESE INSTRUCTIONS AND DELIVER TO OWNER AFTER INSTALLATION

- To reduce the risk of death, personal injury or property damage from fire, electric shock, falling parts, cuts/abrasions, and other hazards please read all warnings and instructions included with and on the fixture box and all fixture labels.
- Before installing, servicing, or performing routine maintenance upon this equipment, follow these general precautions.
- Installation and service of luminaires should be performed by a **qualified licensed electrician**.
- Maintenance of the luminaires should be performed by person(s) familiar with the luminaires' construction and operation and any hazards involved. Regular fixture maintenance programs are recommended.
- It will occasionally be necessary to clean the outside of the refractor/lens. Frequency of cleaning will depend on ambient dirt level and minimum light output which is acceptable to user. Refractor/lens should be washed in a solution of warm water and any mild, non-abrasive household detergent, rinsed with clean water and wiped dry. Should optical assembly become dirty on the inside, wipe refractor/lens and clean in above manner, replacing damaged gaskets as necessary.
- **DO NOT INSTALL DAMAGED PRODUCT!** This luminaire has been properly packed so that no parts should have been damaged during transit. Inspect to confirm. Any part damaged or broken during or after assembly should be replaced.
- Recycle: For information on how to recycle LED electronic products, please visit www.epa.gov.
- These instructions do not purport to cover all details or variations in equipment nor to provide every possible contingency to meet in connection with installation, operation, or maintenance. Should further information be desired or should particular problems arise which are not covered sufficiently for the purchaser's or owner's purposes, this matter should be referred to Acuity Brands Lighting, Inc.



WARNING RISK OF ELECTRIC SHOCK

- ✓ Disconnect or turn off power before installation or servicing.
- ✓ Verify that supply voltage is correct by comparing it with the luminaire label information.
- ✓ Make all electrical and grounded connections in accordance with the National Electrical Code (NEC) and any applicable local code requirements.
- ✓ All wiring connections should be capped with UL approved recognized wire connectors.



WARNING RISK OF BURN

- ✓ Allow lamp/fixture to cool before handling. Do not touch enclosure or light source.
- ✓ Follow all manufacturer's warnings, recommendations and restrictions for: driver type, burning position, mounting locations/methods, replacement and recycling.



CAUTION RISK OF INJURY

- ✓ Wear gloves and safety glasses at all times when removing luminaire from carton, installing, servicing or performing maintenance.
- ✓ Avoid direct eye exposure to the light source while it is on.



CAUTION RISK OF FIRE

- ✓ Keep combustible and other materials that can burn, away from lamp/lens.
- ✓ Do not operate in close proximity to persons, combustible materials or substances affected by heat or drying.

LED IMPORTANT SAFETY INSTRUCTIONS



CAUTION: RISK OF PRODUCT DAMAGE

- ✓ Never connect components under load.
- ✓ Do not mount or support these fixtures in a manner that can cut the outer jacket or damage wire insulation.
- ✓ Unless individual product specifications deem otherwise: Never connect an LED product directly to a dimmer packs, occupancy sensors, timing devices, or other related control devices. LED fixtures must be powered directly off a switched circuit.
- ✓ Unless individual product specifications deem otherwise: Do not restrict fixture ventilation. Allow for some volume of airspace around fixture. Avoid covering LED fixtures with insulation, foam, or other material that will prevent convection or conduction cooling.
- ✓ Unless individual product specifications deem otherwise: Do not exceed fixtures maximum ambient temperature.
- ✓ Only use fixture in its intended location.
- ✓ Electrostatic Discharge (ESD): ESD can damage LED fixtures. Personal grounding equipment must be worn during all installation or servicing of the unit.
- ✓ Do not touch individual electrical components as this can cause ESD, shorten lamp life, or alter performance.
- ✓ Some components inside the fixture may not be serviceable. In the unlikely event your unit may require service, stop using the unit immediately and contact an ABL representative for assistance.
- ✓ Always read the fixtures complete installation instructions prior to installation for any additional fixture specific warnings.

Please see product specific installation instructions for additional warnings or any applicable FCC or other regulatory statements.

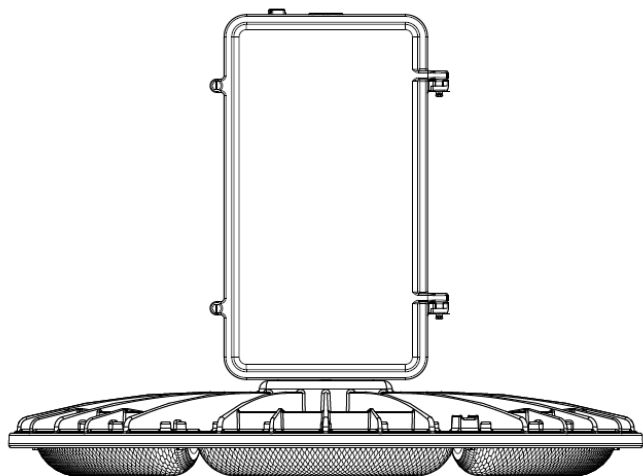
Failure to follow any of these instructions could void product warranties. For a complete listing of product Terms and Conditions, please visit www.acuitybrands.com.

Our Brands	Indoor/Outdoor	Indoor Lighting	Outdoor Lighting	Controls
	Lithonia Lighting	Gotham	American Electric Lighting	DARK TO LIGHT
	Carandini	Mark Architectural Lighting	Antique Street Lamps	Lighting Control & Design
	Holophane	Peerless	Hydrel	ROAM
	RELOC	Renaissance Lighting	Tersen	Sensor Switch
		Winona Lighting		Synergy

Acuity Brands Lighting, Inc. assumes no responsibility for claims arising out of improper or careless installation or handling of its products.

ABL LED General Warnings, Form No. 503.203

Figure 1



GR2422

1 Introduction

1.1 Product Description. The Phuzion Large LED fixtures have been designed and tested in accordance with applicable UL/CSA standards and are suitable for use in Damp and Wet locations. Max fixture weight is 56 lbs.

2 Installation

2.1 Tools and Materials Required.

TABLE 1. Installation Tools and Materials

DESCRIPTION	USE
1/4" Socket	Pendant Set Screw
3/8" Socket	Electrical Door

2.2 P Mounting type (Pendant) (see figures 2 and 3)

2.2.1 Use provided thread sealant. Apply sealant to the first four threads of 3/4" NPT entry on fixture.

2.2.1 Install fixture onto 3/4" NPT or NPS rigid conduit, minimum 6 turns and until tight. Rigid conduit must be mounted to a suitable structure capable of supporting the full weight of the luminaire in accordance with local codes.

2.2.1 Tighten set screw to 25-35 in-lb.

WARNING

FAILURE TO TIGHTEN SET SCREW COULD CAUSE FIXTURE TO FALL RESULTING IN INJURY, DEATH OR SERIOUS PROPERTY DAMAGE.

AVERTISSEMENT

NE PAS SERRER CORRECTEMENT LA VIS DE RÉGLAGE PEUT PROVOQUER LA CHUTE DE LA

FIXATION ET CAUSER DES BLESSURES, PROVOQUER LA MORT OU DE SÉRIEUX DOMMAGES MATÉRIELS.

2.2.2 Open electrical door by loosening (2) door screws from housing screw holes and swinging the door open on its hinges.

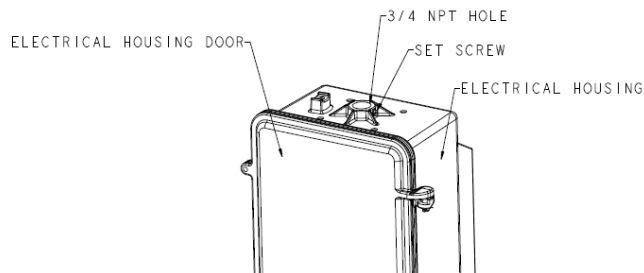
2.2.3 Make all supply wire connections in accordance with all local electrical codes.

2.2.3.1 For a Holophane Phuzion luminaire that will also be wired to a separately installed Holophane Emergency Battery Pack, STOP. Do not make standard, supply wire connections. Proceed to the Emergency Battery Pack instructions which will provide different supply wire connections of the luminaire and battery pack. These instructions are provided with the separately shipped battery pack.

2.2.4 Re-install electrical door and tighten door screws, ensuring all leads are completely inside enclosure and not pinched.

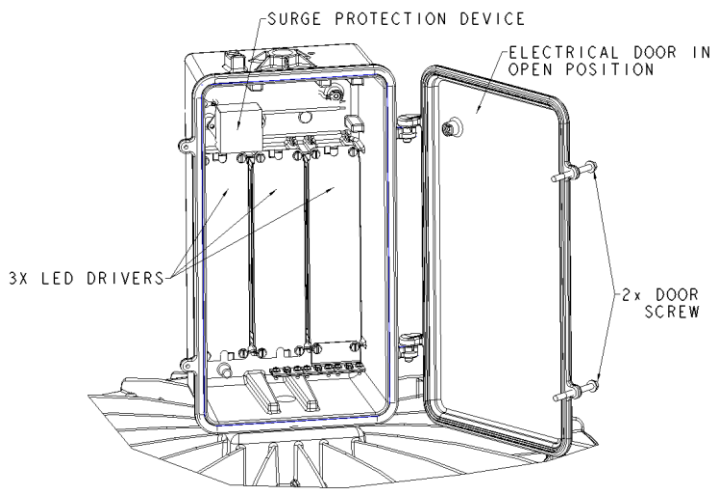
2.2.5 Energize power to the fixture and check for proper operation.

Figure 2



GR2423

Figure 3



GR2424

2.3 N & NR Mounting type (Non-Disconnect) (see figures 4 and 5)

2.3.1 For NR mount N Hanger reused from existing installation. Skip to step 2.3.5.

2.3.2 Loosen the captive wing nut, disengage the J-bolt and remove the N Hanger.

2.3.3 For pendant mounting, remove plug and install the N Hanger on $\frac{3}{4}$ " NPT or NPS rigid conduit minimum 4 turns and until tight. Securely tighten the setscrew inside the hanger to 25-35 in-lb. **See warning 2.2.1.**

2.3.4 For ceiling mounting, remove the knockout(s) for side entry or through-wiring. Drill through at the four drill spots on the top of the hanger with a $\frac{9}{32}$ " diameter drill bit. Mount the hanger to the ceiling or girder with (4) $\frac{1}{4}$ " bolts. Install conduit, conduit nuts and conduit bushing, and tighten securely.

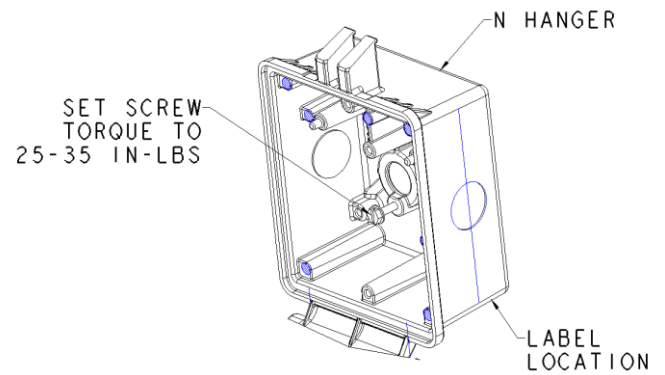
2.3.5 Hang fixture on the N Hanger hinge, and make wiring connections in accordance with all local electrical codes.

2.3.6 Swing the fixture up, latch the J-bolt to the hanger and secure with the captive wing nut. Hand tighten the wing nut only, without the use of a tool.

2.3.7 Attach label(s) provided with fixture to N Hanger in location shown.

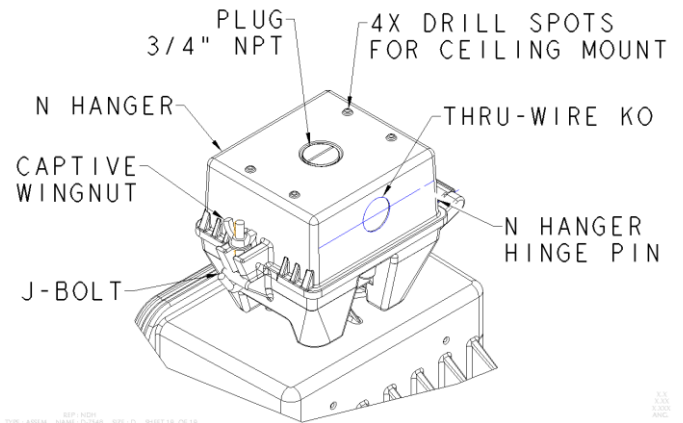
2.3.8 Energize power to the fixture and check for proper operation.

Figure 4



GR2425

Figure 5



GR2426

2.4 Q & QR Mounting type (Quick Disconnect) (see figure 6)

Note

The Q mounting-type may be installed only to a Holophane QDH Quick Disconnect Hanger. The QDH hanger and installation instructions are shipped separately. Install the QDH hanger following those instructions before proceeding with installation of the fixture. For QR mount, QDH Hanger is reused from existing installation.

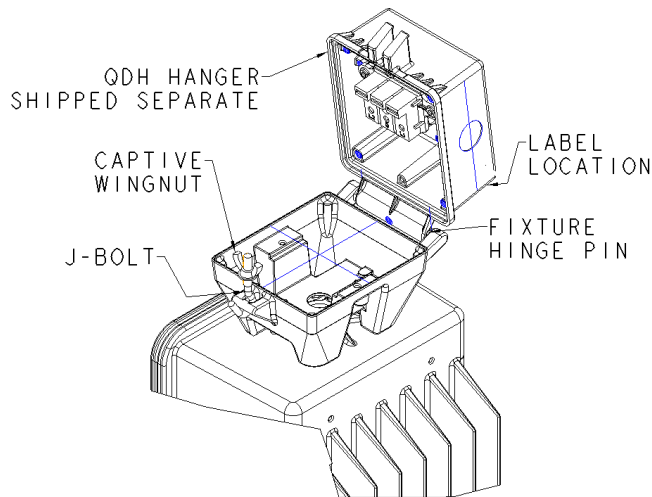
2.4.1 Hang fixture on QDH hanger hinge.

2.4.2 Swing the fixture up, latch the J-bolt to the hanger, and secure the ballast assembly with the captive wing nut. Hand tighten the wing nut only, without the use of a tool.

2.4.3 Attach label(s) provided to QDH Hanger in location shown.

2.4.4 Energize power to the fixture and check for proper operation.

Figure 6



GR2427

2.5 P Mounting type with Hook or Loop Option (see figure 7)

2.5.1 Hang the fixture on a hook or loop that is properly sized and attached to support the weight of the luminaire.

2.5.2 If the hanging hook is provided with a spring tab retainer, be certain the tab has snapped closed against the inside of the hook.

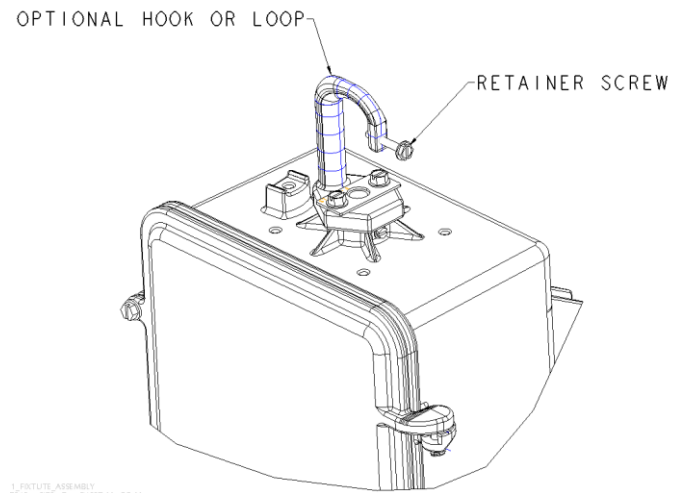
2.5.3 If the hanging hook is provided with a retainer screw, tighten the retaining screw until it is snug to prevent it from backing out.

2.5.4 Make all supply wire connections in accordance with all local electrical codes.

2.5.4.1 For a Phuzion Large luminaire that will also be wired to a separately installed Holophane Emergency Battery Pack, STOP. Do not make standard supply wire connections. Proceed to the Emergency Battery Pack instructions which will provide different supply wire connections of the luminaire and battery pack. These instructions are provided with the separately shipped battery pack.

2.5.5 Supply power to the fixture and check for proper operation.

Figure 7



GR2428

2.6 Dimming Terminal Option (see figure 2)

2.6.1 Connect dimming leads to the terminal block matching gray and violet leads. It is necessary to connect dimming leads with proper polarity. (+ Purple, - Violet)

2.7 Safety Chain Option

2.7.1 Safety chain option comes attached to the luminaire. Attach loose end to building structure leaving no more than three inches of slack. Leaving more slack will allow a longer free-fall, resulting in a larger impact load and possible structural failure.

WARNING

LEAVE NO MORE THAN THREE INCHES OF SLACK IN THE CHAIN WHEN ATTACHING TO THE BUILDING STRUCTURE. LEAVING MORE SLACK WILL ALLOW A LONGER FREE-FALL, A RESULTING LARGER IMPACT LOAD AND POSSIBLE STRUCTURAL FAILURE. FAILURE TO INSTALL THE CHAIN AS INSTRUCTED MAY RESULT IN INJURY OR DEATH OR SIGNIFICANT PROPERTY DAMAGE.

AVERTISSEMENT

NE PAS LAISSER PLUS DE TROIS POUCHES DE JEU À LA CHAÎNE LORS DE LA FIXATION À LA STRUCTURE DE L'ÉDIFICE. LAISSER PLUS DE JEU PERMETTRAIT UNE PLUS LONGUE CHUTE LIBRE, UN IMPACT DE CHARGE PLUS IMPORTANT ET UNE POSSIBLE DÉFAILLANCE DE LA STRUCTURE. NE PAS INSTALLER LA CHAÎNE SELON LES INSTRUCTIONS PEUT PROVOQUER DES BLESSURES, LA MORT OU DE SÉRIEUX DOMMAGES MATÉRIELS.

3.0 Maintenance

3.1 Electrical Component Replacement (Driver, Surge protector) (see figure 3)

3.1.1 Disconnect power to the luminaire location before maintenance. Loosen (2) door screws and open electrical housing door.

3.1.2 Tag leads before disconnecting.

3.1.3 Replace components using Holophane approved replacement parts.

3.1.4 Re-connect electrical leads

3.1.5 Re-install electrical door and tighten door screws, ensuring all leads are completely inside enclosure and not pinched.

3.2 Sensor Replacement (see figure 8)

3.2.1 Disconnect power to the luminaire location before maintenance.

3.2.2 Remove sensor frame and unscrew (4) screws attaching sensor to sensor mounting plate.

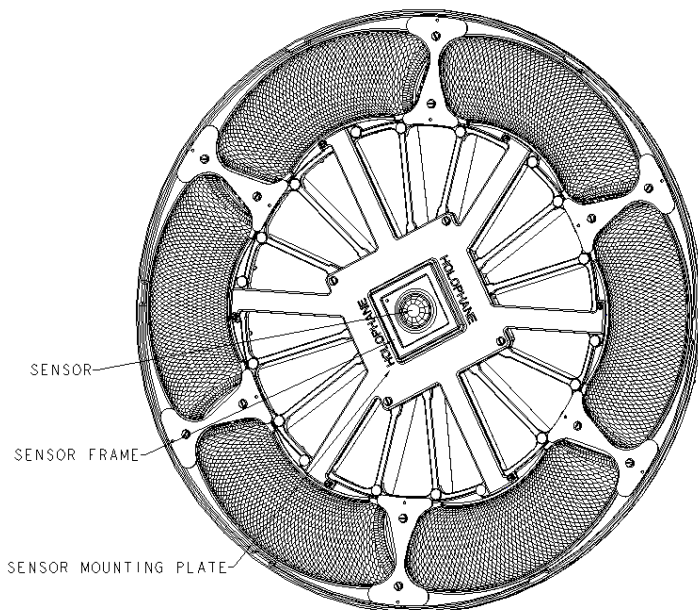
3.2.3 Tag leads before disconnecting.

3.2.4 Replace components using Holophane approved replacement parts.

3.2.5 Re-connect electrical leads

3.2.6 Re-install the sensor ensuring leads are completely inside the enclosure and not pinched. Re-install sensor frame over sensor.

Figure 8



GR2429

4.0 Limited Warranty and Limitation of Liability

5-year limited warranty. Complete warranty terms located at:

www.acuitybrands.com/CustomerResources/Terms_and_Conditions.aspx.



Acuity Brands Lighting, Inc.
3825 Columbus Rd., Granville, OH 43023

IM-393 1/16 ©2016 Acuity Brands Lighting, Inc.
All Rights Reserved.
Visit our web site at www.holophane.com