

INSTALLATION INSTRUCTIONS

QM LED

CAUTION: For safety and proper operation, read and follow instructions carefully before installation.



US Patents: 6,848,798 5,526,251
6,499,866 D473,672
6,142,648 5,611,163
5,797,673 5,646,502
D379,373 D484,272

IMPORTANT SAFEGUARDS

READ AND FOLLOW ALL SAFETY INSTRUCTIONS

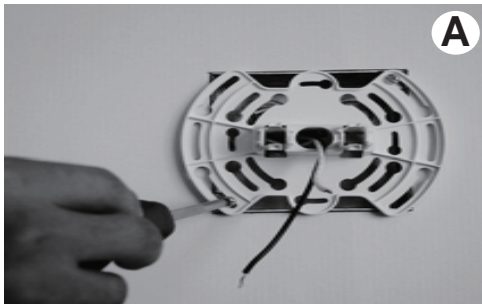
SAVE THESE INSTRUCTIONS AND DELIVER TO OWNER AFTER INSTALLATION

- ⚠ WARNING:** FAILURE TO FOLLOW THESE INSTRUCTIONS AND WARNINGS MAY RESULT IN DEATH, SERIOUS INJURY OR SIGNIFICANT PROPERTY DAMAGE- For your protection, read and follow these warnings and instructions carefully before installing or maintaining this equipment. These instructions do not attempt to cover all installation and maintenance situations. If you do not understand these instructions or additional information is required, contact Holophane or your local Holophane distributor.
- ⚠ WARNING:** RISK OF ELECTRIC SHOCK- NEVER CONNECT TO, DISCONNECT FROM, OR SERVICE WHILE EQUIPMENT IS ENERGIZED.
- ⚠ WARNING:** RISK OF FIRE- Lamps are hot. Keep combustible material away from hot parts. Observe lamp manufacturer's warnings, recommendations and restrictions on lamp operation and maintenance. Make sure lamps are correctly installed.
- ⚠ WARNING:** DO NOT USE ABRASIVE MATERIALS OR OTHER SOLVENTS. USE OF THESE SUBSTANCES MAY DAMAGE FIXTURE, WHICH MAY RESULT IN PERSONAL INJURY.
- ⚠ WARNING:** RISK OF PERSONAL INJURY- This product may have sharp edges. Wear gloves to prevent cuts or abrasions when removing from carton, handling, installing and maintaining this product.

- Before wiring to power supply, turn off electricity at fuse or circuit breaker.
- Disconnect AC power and unplug battery before servicing.
- Consult your local building code for approved wiring and installation.
- May be used outdoors under cover. (10°C- 40°C)
- Do not let power supply cord touch hot surfaces.
- Do not mount near gas or electric heater.
- Do not install a damaged fixture.
- This product must be installed in accordance with the applicable installation codes and ordinances.
- Proper grounding is required to ensure personal safety.
- All service shall be performed by qualified service personnel. This product must be installed and maintained in accordance with the applicable installation codes by a person familiar with the construction operation of the product and the hazards involved.
- Equipment should be mounted in locations and at heights where it will not readily be subjected to tampering by unauthorized personnel.
- The use of accessory equipment not recommended by the manufacturer may cause an unsafe condition.
- Do not use this equipment for other than intended use.

INSTALLATION INSTRUCTIONS

NOTE: Max mounting height is 9 ft to achieve at least 1 ft-candle of illuminance in emergency mode.

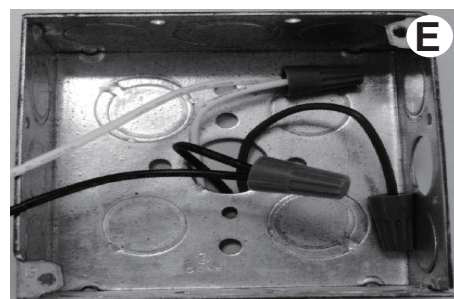
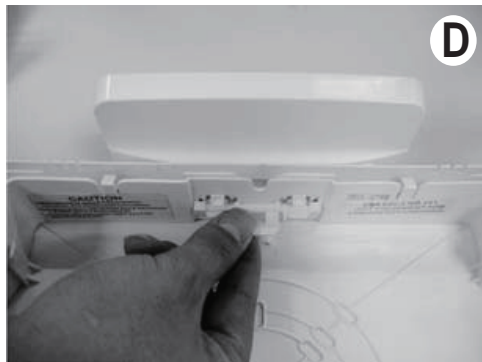


Top Mount:

1. Connect jumper leads (provided) to AC input leads in j-box. Fasten j-box bracket.

2. Fasten canopy to j-box bracket. Remove face plate from housing. Remove hole plug and dress leads through housing wire channel. Snap exit housing onto canopy.

3. In upper left corner of housing wire channel connect input leads using push nuts and jumper wire provided to route wires to j-box. Connect battery after AC power can be continuously provided to exit and snap face plate onto housing. Remote lamp option: Connect remote lamps to yellow and blue wires using push nuts and jumper wire provided to route wires to j-box.



To Install Canopy-Locking Pin:

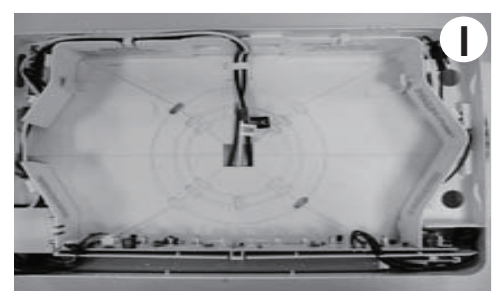
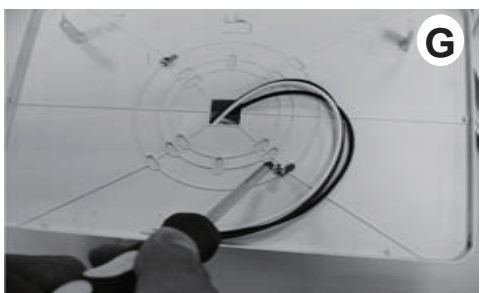
Lay cam locking pin between canopy posts and snap into retaining hooks. Rotate cam locking pin up to lock into place.

Back Mount:

1. Connect installation supply leads (provided) to AC input leads in j-box. Remove face plate and back plate from housing.

To Remove Back Plate:

2. Press in and release snaps at bottom or top of housing. Then release two latches from the inside of housing.



3. Remove necessary knockouts and fasten back plate to j-box.

4. Snap housing to back plate.

5. Route wires through upper wireway. In upper left corner of housing wire channel, trim and connect input leads using push nuts and jumper wire provided to route wires to j-box. Connect battery after AC power can be continuously provided and snap face plate onto housing.



Remove and Relocate Lamp Mount Assembly:

Disconnect lamp harness from lamp board. Press four snaps (two each side) to release lamp mount assembly from housing. Relocate to top of housing and re-snap into place. Connect lamp harness to lamp board.

Remote lamp option: Connect remote lamps to yellow and blue wires using pushnuts and jumper wire provided to route wires to j-box.
SD option: Connect remote lamps to yellow, white and blue wires.

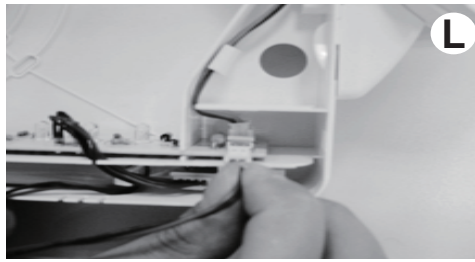
INSTALLATION INSTRUCTIONS

GENERAL INFORMATION



To Remove Face Plate:

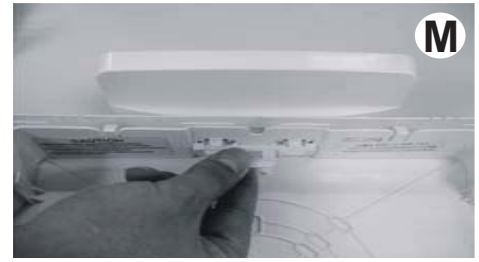
Press in snaps at bottom or top of housing to separate face plate from housing.



DC Connection:

With AC power turned off, connect battery connector leads.

CAUTION: Continuous AC power must be available at time of installation as damage to the battery will occur if the battery is connected to the charger board for more than 3 days.



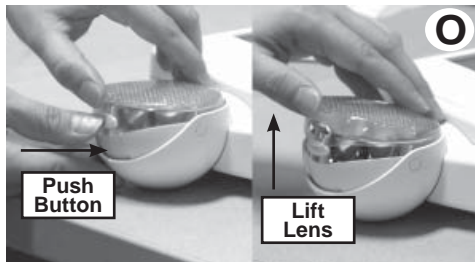
To Remove Canopy:

Rotate cam locking pin level with housing and remove from hooks. Squeeze snaps and pull housing free.



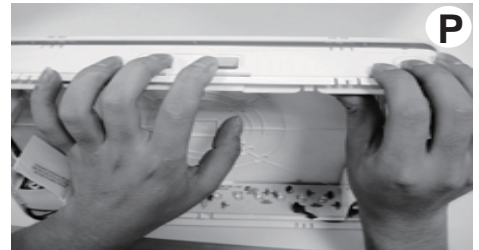
To Remove Directional Chevrons:

Remove colored panel and push chevron out for desired configuration.



To Remove Lens:

Release lens by lifting outward and over button with thumb.



Lamp Replacement:

Disconnect the wire harness for the LED lamp board. Unscrew the screws holding the LED lamp board to the reflector. Re-attach the new LED lamp board onto the reflector and connect the connector.

Directions for End-Mounting

A. Remove the back plate (see photos F & H).

B. Remove and discard the left lamp mount assembly (see photo J)

C. The face plate and plate cover may have to be reversed for correct view orientation.

D. Use top mounting instructions to attach to junction box.

INSPECTION & MAINTENANCE

NOTE: Emergency lighting systems should be tested in accordance with NFPA101 requirements to ensure that all components are operational.

A. **Normal Operation:** When unit is functioning properly, with power applied to it, the red indicator light will be on and "EXIT" will remain illuminated. For fixtures with the SD (Self-Diagnostic) option see supplemental instructions for other status indicators.

B. **To Test:** Press the "TEST" Switch. During test lamps will come on and "EXIT" will remain illuminated. When the switch is released, the lamps will go off.

NOTE: See important battery information before testing.

C. **Battery Replacement:** Bend snaps and remove battery from housing. Disconnect leads from terminals.

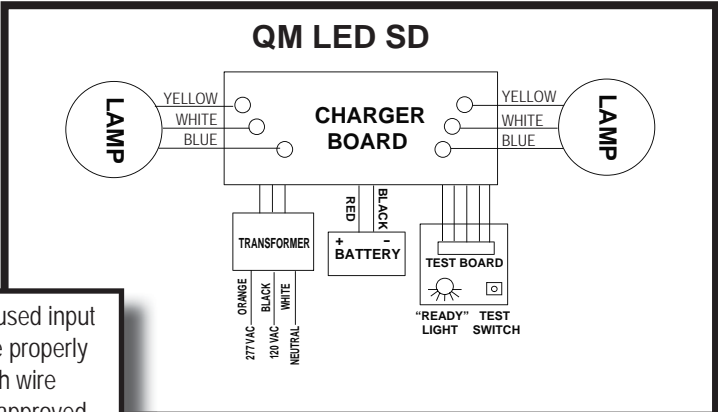
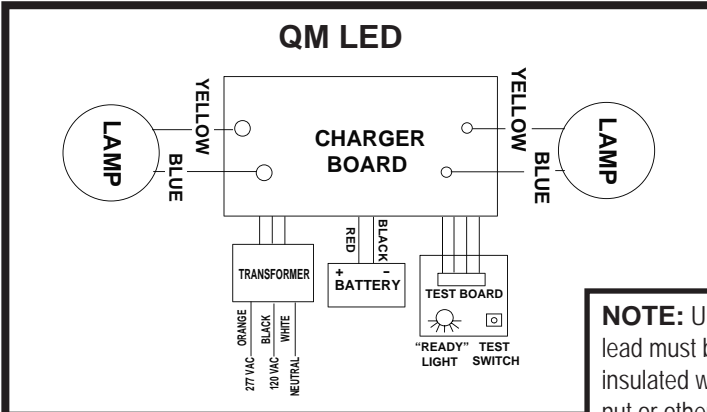
D. **Lamp Board Replacement:** Disconnect battery, signal harness and lamp harnesses from lamp board. Pinch snaps and lift lamp board, insert new lamp board, reconnect lamp harnesses, signal harness and battery.

IMPORTANT BATTERY INFORMATION:

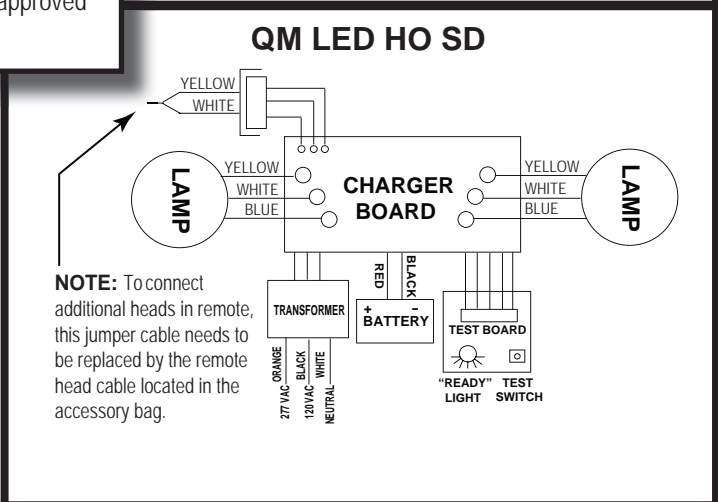
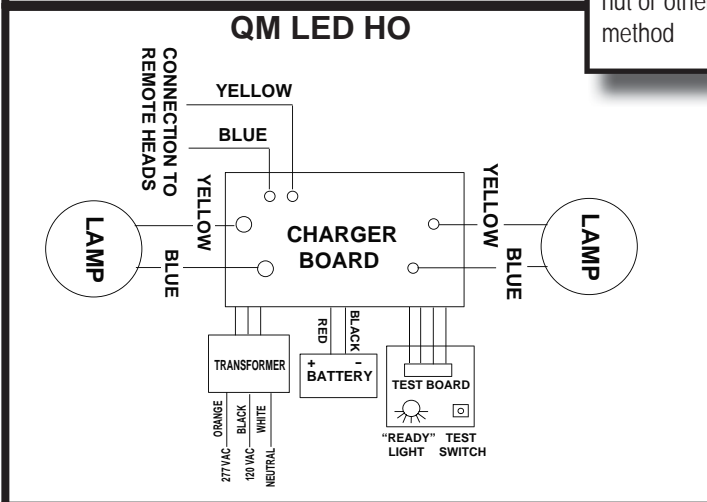
Allow battery to charge for 24 hours before testing and first use. Batteries are perishable items. For best results, it is recommended that the battery receive an initial charge within the first 3 years of the manufacture date of the fixture. The manufacture date can be found on the outside of the unit packaging and on the UL label as part of the Date Code/Series.

INSTALLATION INSTRUCTIONS

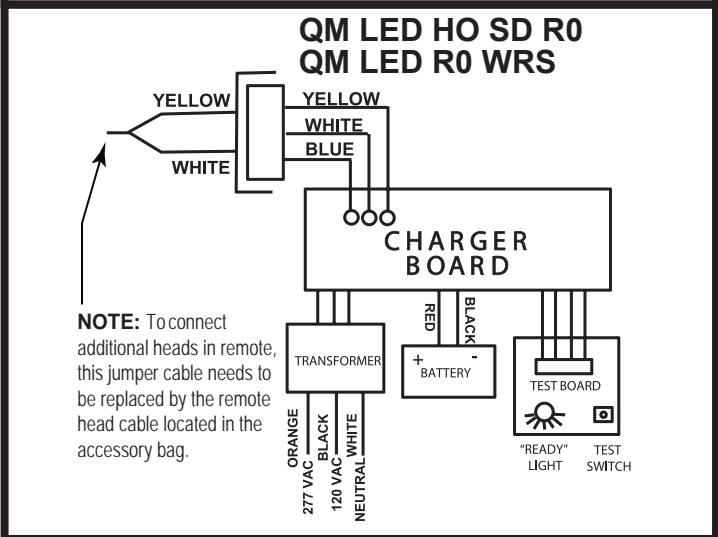
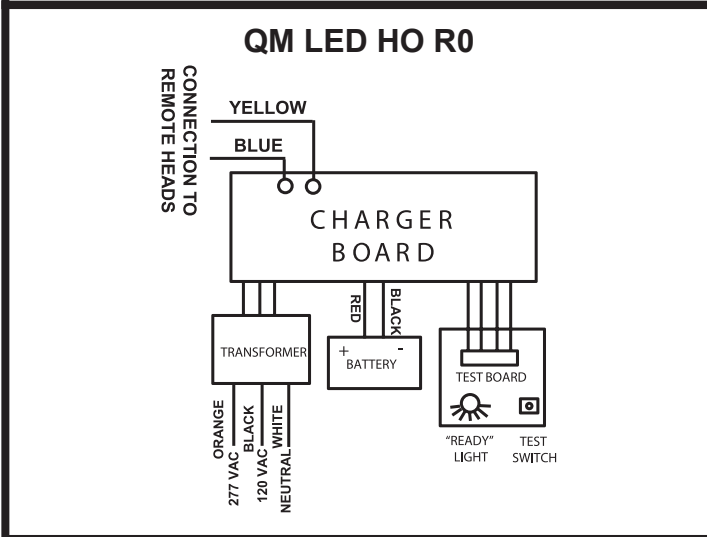
WIRING DIAGRAMS



NOTE: Unused input lead must be properly insulated with wire nut or other approved method



NOTE: To connect additional heads in remote, this jumper cable needs to be replaced by the remote head cable located in the accessory bag.



NOTE: To connect additional heads in remote, this jumper cable needs to be replaced by the remote head cable located in the accessory bag.

NOTE for HO models:

Use of 10-12 AWG stranded wire required to connect remote lamp heads to maintain operating voltage when remote fixtures are connected to the emergency lighting equipment.



An **AcuityBrands** Company

3825 Columbus Rd, Granville, OH 43023
866-465-6742

Part No. EMCSA00847 Rev. C
2017.07.28