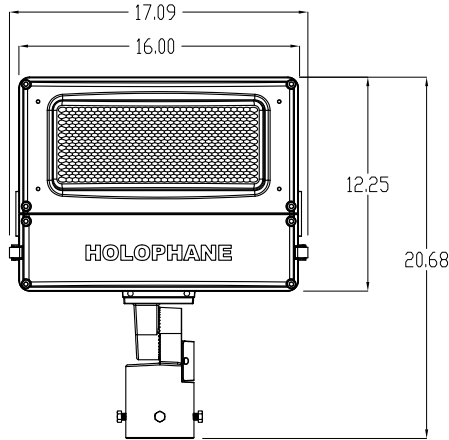
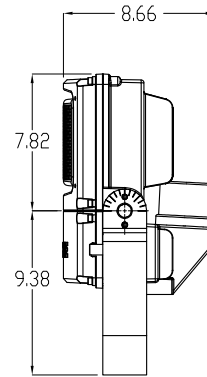
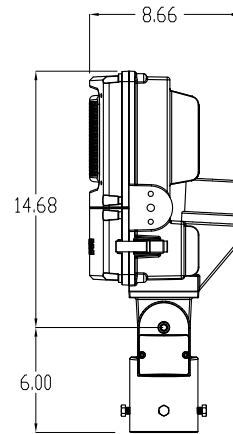


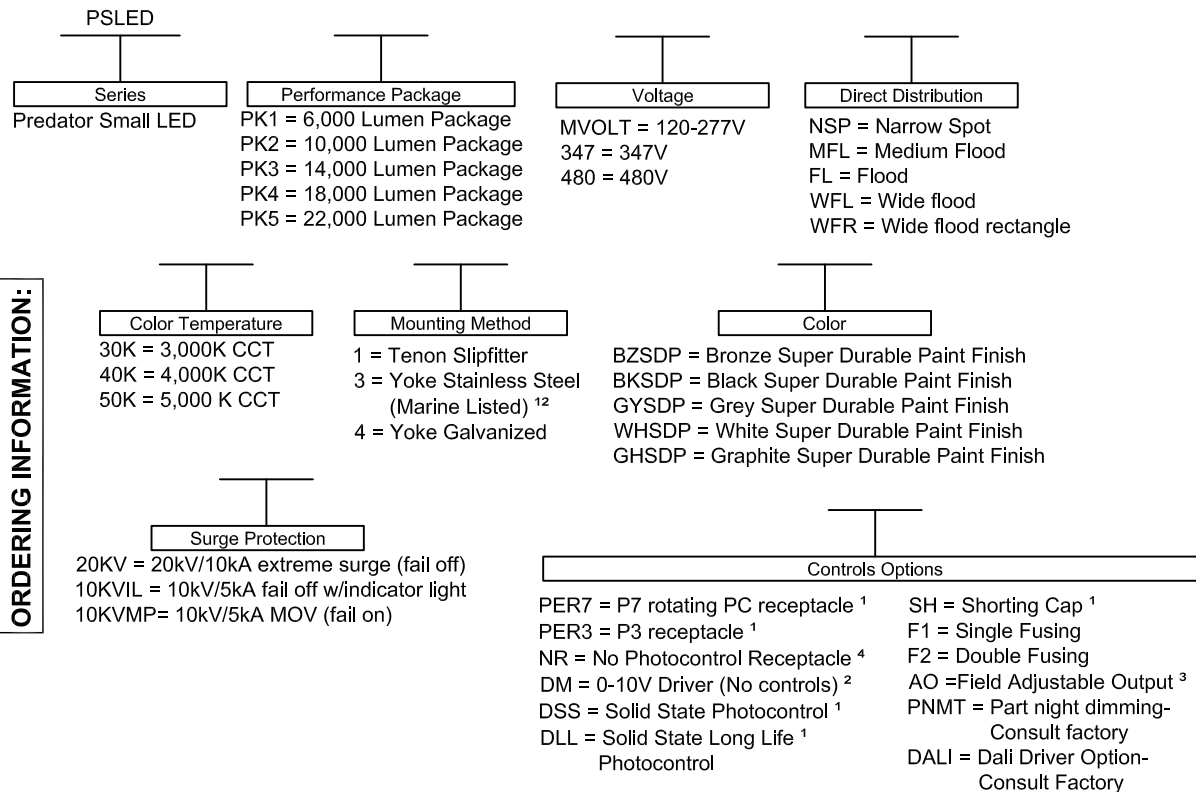
Yoke Mount: EPA= 1.76 ft. sq. & Weight of 30 lbs.



Tenon Mount: EPA= 1.89 ft. sq. & Weight of 28 lbs.



Customer Preferred: (Most Frequently Ordered Catalog Numbers)
PSLED



ORDERING INFORMATION:

Predator[®]
Small LED

Infrastructure
Specialty



THIS DRAWING, WHEN APPROVED, SHALL BECOME THE COMPLETE SPECIFICATION FOR THE MATERIAL TO BE FURNISHED BY HOLOPHANE ON THE ORDER NOTED ABOVE. A UNIT OF SIMILAR DESIGN MAY BE MADE TO ORDER. THE ORDER MUST SPECIFY THE MOUNTING METHOD AND THE ORDER MUST SPECIFY AN ANCHOR BOLT LENGTH. THE PRINT WILL BE SUPPLIED WITH EACH ANCHOR BOLT ORDER TO MATCH THE POLE LOANED SUBJECT TO RETURN UPON DEMAND AND UPON EXPRESS WRITTEN AGREEMENT TO OUR INTERESTS, AND ONLY IN CONNECTION WITH MATERIAL FURNISHED BY HOLOPHANE.

ORDER #:	
TYPE:	
DRAWN:	BGW
DATE:	10-12-17
DWG #:	LUM_PSLED

- Cord Length Option ^{5 6}**
- 04 4 ft. cord length
 - 05 5 ft. cord length
 - 06 6 ft. cord length
 - 08 8 ft. cord length
 - 10 10 ft. cord length
 - 12 12 ft. cord length
 - 15 15 ft. cord length
 - 20 20ft. cord length
 - 25 25ft. cord length
 - 30 30ft. cord length

- Cord Length Option**
- 63 16 gage, 3 conductor cord
 - 43 14 gage, 3 conductor cord
 - 23 12 gage, 3 conductor cord
 - 65 16 gage, 5 conductor cord ¹¹

- Options/Controls**
- TL = Tool-less entry
 - NL = NEMA Label

- Accessories**
- PSLEDFV-BZSDP = Full Visor Bronze ⁷
 - PSLEDFV-BKSDP = Full Visor Black ⁷
 - PSLEDFV-GYSDP = Full Visor Grey ⁷
 - PSLEDFV-WHSDP = Full Visor White ⁷
 - PSLEDFV-GHSDP = Full Visor Graphite ⁷
 - PSLEDUBV-BZSDP = Upper/Bottom Visor Bronze ⁸
 - PSLEDUBV-BKSDP = Upper/Bottom Visor Black ⁸
 - PSLEDUBV-GYSDP = Upper/Bottom Visor Grey ⁸
 - PSLEDUBV-WHSDP = Upper/Bottom Visor White ⁸

- PSLEDUBV-GHSDP = Upper/Bottom Visor Graphite ⁸
- PSLEDVG = Vandal Guard ⁹
- PSLEDWG = Wire Guard ¹⁰
- 08657-BZSDP = Yoke to 2.375" OD Tenon Adaptor Bronze
- 08657-BKSDP = Yoke to 2.375" OD Tenon Adaptor Black
- 08657-GYSDP = Yoke to 2.375" OD Tenon Adaptor Grey
- 08657-WHSDP = Yoke to 2.375" OD Tenon Adaptor White
- 08657-GHSDP = Yoke to 2.375" OD Tenon Adaptor Graphite

Mechanical

Low copper content die cast aluminum housings has integral heat sink fins to optimize thermal management t

**Predator[®]
Small LED**

**Infrastructure
Specialty**



© 2010 Acuity Brands Lighting, Inc., All Rights Reserved

THIS DRAWING, WHEN APPROVED, SHALL BECOME THE COMPLETE SPECIFICATION FOR THE MATERIAL TO BE FURNISHED BY HOLOPHANE ON THE ORDER NOTED ABOVE. A UNIT OF SIMILAR DESIGN MAY BE ORDERED IN THE FUTURE. THE ORDERING PARTY SHALL BE RESPONSIBLE FOR OBTAINING ALL NECESSARY PERMITS AND APPROVALS. HOLOPHANE WILL BE SUPPLIED WITH EACH ANCHOR BOLT ORDER TO MATCH THE POLE PROVIDED. THIS PRINT IS THE PROPERTY OF HOLOPHANE AND IS LOANED SUBJECT TO RETURN UPON DEMAND AND UPON EXPRESS WRITTEN NOTICE. HOLOPHANE ASSUMES NO LIABILITY FOR ANY WAY DETRIMENTAL TO OUR INTERESTS, AND ONLY IN CONNECTION WITH MATERIAL FURNISHED BY HOLOPHANE.

ORDER #:	
TYPE:	
DRAWN:	BGW
DATE:	10-12-17
DWG #:	LUM_PSLED

Performance Packages										
PSLED	Distribution	Lumens 4000K	Input Watts	LPW	Input Operating Amps					
					120V	208V	240V	277V	347V	480V
PK1					0.41	0.24	0.21	0.18	0.15	0.11
	NSP	5,280	49	108						
	MFL	5,859	49	120						
	FL	6,006	49	123						
	WFL	6,200	49	127						
PK2	WFR	6,036	49	123						
					0.66	0.39	0.34	0.29	0.22	0.17
	NSP	8,540	79	108						
	MFL	9,478	79	120						
	FL	9,716	79	123						
PK3	WFL	10,029	79	127						
	WFR	9,763	79	124						
					0.99	0.58	0.51	0.45	0.37	0.28
	NSP	12,267	119	103						
	MFL	13,613	119	114						
PK4	FL	13,956	119	117						
	WFL	14,405	119	121						
	WFR	14,024	119	118						
					1.25	0.72	0.63	0.55	0.45	0.34
	NSP	15,528	150	104						
PK5	MFL	17,232	150	115						
	FL	17,666	150	118						
	WFL	18,235	150	122						
	WFR	17,751	150	118						
					1.66	0.96	0.83	0.72	0.58	0.43
NSP	19,410	199	98							
MFL	21,540	199	108							
FL	22,082	199	111							
WFL	22,793	199	115							
WFR	22,189	199	112							

LLD					
	PK1	PK2	PK3	PK4	PK5
25,000 hours	0.98	0.98	0.98	0.98	0.96
50,000 hours	0.96	0.96	0.96	0.96	0.92
100,000 hours	0.92	0.92	0.92	0.92	0.85

AO Module		
AO setting	Lumens %	Wattage %
8	100%	100%
7	100%	100%
6	100%	100%
5	90%	87%
4	79%	75%
3	68%	61%
2	55%	49%
1	42%	37%

LAT				
0C	15C	25C	35C	40C
1.06	1.02	1.00	0.98	0.96

Notes:

- Not available with NR
- Not available with AO
- Not available with DM
- Not available with DM, PER7, PER3, SH, DSS, DLL
- Requires cord length and cord type
- Not available with TM mounting
- Not compatible with WG, VG, UBV
- Not compatible with WG, VG, FV
- Not compatible with WG, FV, UBV
- Not compatible with VG, FV, UBV
- Used with mounting option 3,4 and DM only
- Marine listing not available with PER3 or PER7

WARRANTY

Limited warranty located at
[www.acuitybrands.com/CustomerResources/Terms and conditions.aspx](http://www.acuitybrands.com/CustomerResources/Terms%20and%20conditions.aspx)

NOTE

Specifications subject to change without notice.

Actual performance may differ as a result of end-user environment and application.

Actual wattage may differ by +/- 8% when operating at nominal input voltage +/- 10%.

Predator[®]
Small LED

**Infrastructure
Specialty**



© 2010 Acuity Brands Lighting, Inc., All Rights Reserved

THIS DRAWING, WHEN APPROVED, SHALL BECOME THE COMPLETE SPECIFICATION FOR THE MATERIAL TO BE FURNISHED BY HOLOPHANE ON THE ORDER NOTED ABOVE. A UNIT OF SIMILAR DESIGN MAY BE MADE TO ORDER. THE ORDERING PARTY SHALL BE RESPONSIBLE FOR VERIFYING THE ORDERING PARTY'S REQUIREMENTS. HOLOPHANE WILL BE SUPPLIED WITH EACH ANCHOR BOLT ORDER TO MATCH THE POLE PROVIDED. THIS PRINT IS THE PROPERTY OF HOLOPHANE AND IS LOANED SUBJECT TO RETURN UPON DEMAND AND UPON EXPRESS WRITTEN NOTICE. HOLOPHANE ASSUMES NO LIABILITY FOR ANY WAY DETRIMENTAL TO OUR INTERESTS, AND ONLY IN CONNECTION WITH MATERIAL FURNISHED BY HOLOPHANE.

ORDER #:	
TYPE:	
DRAWN:	BGW
DATE:	10-12-17
DWG #:	LUM_PSLED