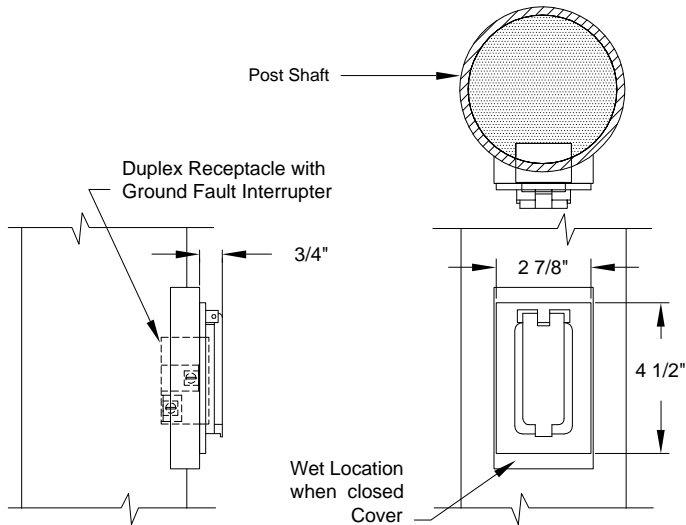


Weatherproof Receptacles

External, Post Shaft Location

- Ground Fault Circuit Interrupter Receptacles.
- Test/Reset buttons on face of receptacles.
- All Cast Aluminum Covers. Not Plastic. (Paintable to match post color).
- Weatherproof "While in Use" covers in two sizes.

External receptacles are typically installed above pedestrian level for special event uses and decorative seasonal lighting.

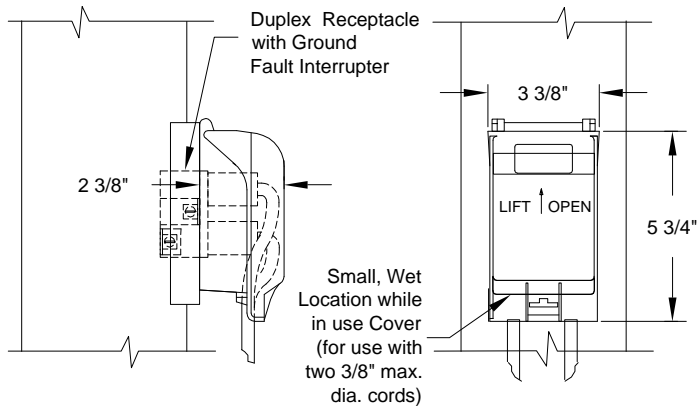


•Receptacle with Wet Location While Closed Cover

Catalog part # **FG-SXXH**

SPECIFICATIONS

A 20 amp, 125 volt, ground fault circuit interrupter duplex receptacle shall be mounted in the post. The receptacle shall be UL Listed according to E-48380 and UL 943 Class A and UL 498. The receptacle shall have a cast aluminum, UL Listed cover that is suitable for wet locations while not in use. The receptacle and cover shall mount to an outlet opening, in the post shaft, with a gasket and stainless steel screws.

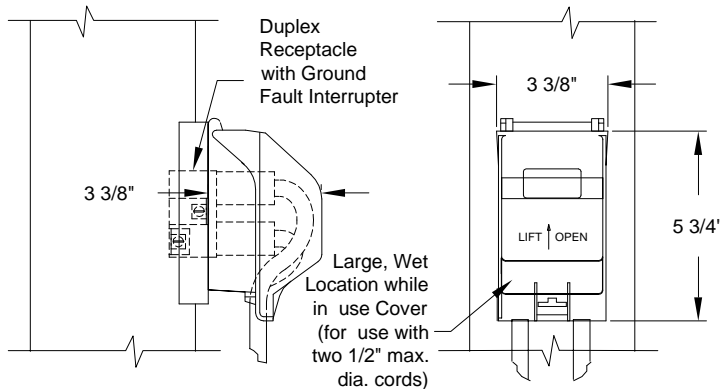


• Receptacle with Small, In-Use Wet Location Cover

Catalog part # **FGIUS-SXXH**

SPECIFICATIONS

A 20 amp, 125 volt, ground fault circuit interrupter duplex receptacle shall be mounted in the post. The receptacle shall be UL Listed according to E-48380 and UL 943 Class A and UL 498. The receptacle shall have a cast aluminum, lockable, UL Listed cover that is suitable for wet locations while in use and complies with NEC Article 410-57(b). The cover shall accept most common cord sets up to 3/8" diameter (14/3). The receptacle and cover shall mount to an outlet opening, in the post shaft, with a gasket and stainless steel screws.



•Receptacle with Large, In-Use Wet Location Cover

Catalog part # **FGIUL-SXXH**

SPECIFICATION

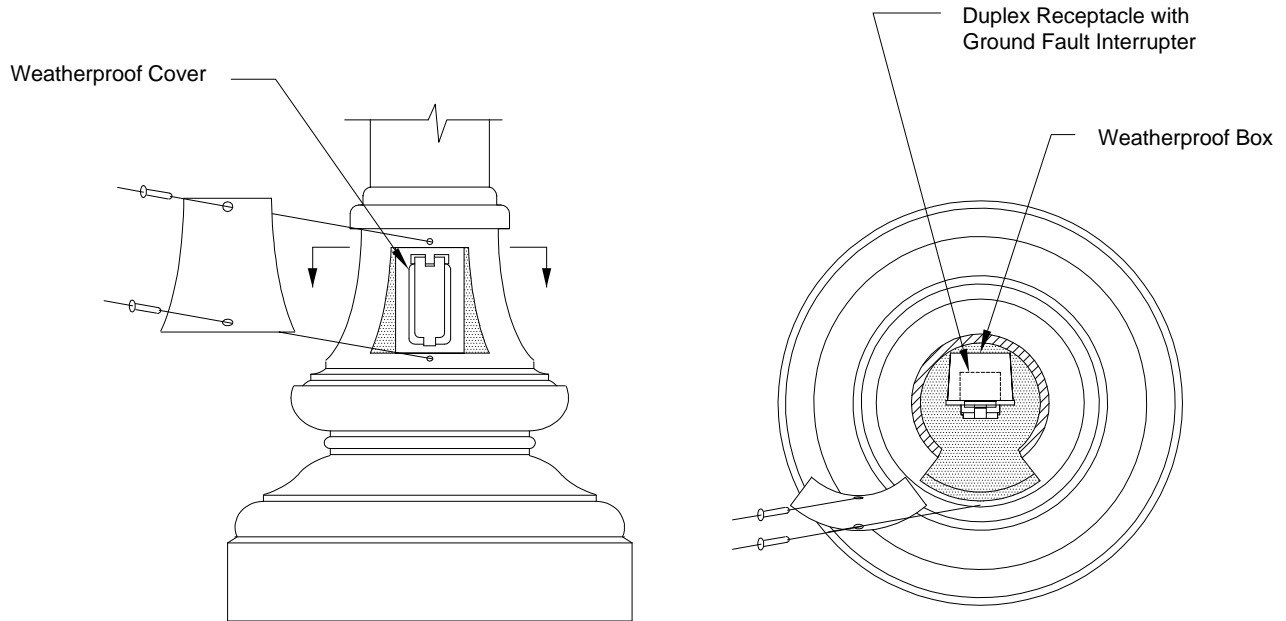
A 20 amp, 125 volt, ground fault circuit interrupter duplex receptacle shall be mounted in the post. The receptacle shall be UL Listed according to E-8380 and UL 943 Class A and UL 498. The receptacle shall have a cast aluminum, lockable, UL Listed cover that is suitable for wet locations while in use and complies with NEC Article 410-57(b). The cover shall accept most common cord sets up to 1/2" diameter (12/3). The receptacle and cover shall mount to an outlet opening, in the post shaft, with a gasket and stainless steel screws.

Weatherproof Receptacles

Internal, Base Location

- Ground Fault Circuit Interrupter Receptacles.
- Test/Reset buttons on face of receptacles.
- All Cast Aluminum Covers. Not Plastic.

Internal receptacles are typically installed for use by authorized personnel for special events and owner maintenance purposes.



- **Receptacle with Weatherproof Box and Cover**

Catalog part # **RB/GFI/WPC**

RB - receptacle in base
GFI - ground fault interrupter
WPC - weatherproof cover

SPECIFICATION

A 20 amp, 125 volt, ground fault circuit interrupter duplex receptacle shall be mounted inside the post base, facing toward the access door. The receptacle shall be UL Listed according to E-48380 and UL 943 Class A and UL 498. The receptacle shall be mounted in a cast aluminum box and cover that is suitable for wet locations while not in use. The receptacle and cover shall mount to a outlet box with a gasket and stainless steel screws.

For information on specifying orientation and mounting heights see **Orientation Guide** in the back of the Accessories section in the catalog.