



READ AND FOLLOW ALL SAFETY INSTRUCTIONS!
SAVE THESE INSTRUCTIONS AND DELIVER TO OWNER AFTER INSTALLATION

- To reduce the risk of death, personal injury or property damage from fire, electric shock, falling parts, cuts/abrasions, and other hazards please read all warnings and instructions included with and on the fixture box and all fixture labels.
- Before installing, servicing, or performing routine maintenance upon this equipment, follow these general precautions.
- Installation and service of luminaires should be performed by a **qualified licensed electrician**.
- Maintenance of the luminaires should be performed by person(s) familiar with the luminaires' construction and operation and any hazards involved. Regular fixture maintenance programs are recommended.
- It will occasionally be necessary to clean the outside of the refractor/lens. Frequency of cleaning will depend on ambient dirt level and minimum light output which is acceptable to user. Refractor/lens should be washed in a solution of warm water and any mild, non-abrasive household detergent, rinsed with clean water and wiped dry. Should optical assembly become dirty on the inside, wipe refractor/lens and clean in above manner, replacing damaged gaskets as necessary.
- **DO NOT INSTALL DAMAGED PRODUCT!** This luminaire has been properly packed so that no parts should have been damaged during transit. Inspect to confirm. Any part damaged or broken during or after assembly should be replaced.
- Recycle: For information on how to recycle LED electronic products, please visit www.epa.gov.
- These instructions do not purport to cover all details or variations in equipment nor to provide every possible contingency to meet in connection with installation, operation, or maintenance. Should further information be desired or should particular problems arise which are not covered sufficiently for the purchaser's or owner's purposes, this matter should be referred to Acuity Brands Lighting, Inc.




WARNING
RISK OF ELECTRIC SHOCK

- ✓ Disconnect or turn off power before installation or servicing.
- ✓ Verify that supply voltage is correct by comparing it with the luminaire label information.
- ✓ Make all electrical and grounded connections in accordance with the National Electrical Code (NEC) and any applicable local code requirements.
- ✓ All wiring connections should be capped with UL approved recognized wire connectors.




WARNING
RISK OF BURN

- ✓ Allow lamp/fixture to cool before handling. Do not touch enclosure or light source.
- ✓ Do not exceed maximum wattage marked on luminaire label.
- ✓ Follow all manufacturer's warnings, recommendations and restrictions for: driver type, burning position, mounting locations/methods, replacement and recycling.



CAUTION
RISK OF INJURY

- ✓ Wear gloves and safety glasses at all times when removing luminaire from carton, installing, servicing or performing maintenance.
- ✓ Avoid direct eye exposure to the light source while it is on.



CAUTION
RISK OF FIRE

- ✓ Keep combustible and other materials that can burn, away from lamp/lens.
- ✓ Do not operate in close proximity to persons, combustible materials or substances affected by heat or drying.



CAUTION: RISK OF PRODUCT DAMAGE

- ✓ Never connect components under load.
- ✓ Do not mount or support these fixtures in a manner that can cut the outer jacket or damage wire insulation.
- ✓ Unless individual product specifications deem otherwise: Never connect an LED product directly to a dimmer packs, occupancy sensors, timing devices, or other related control devices. LED fixtures must be powered directly off a switched circuit.
- ✓ Unless individual product specifications deem otherwise: Do not restrict fixture ventilation. Allow for some volume of airspace around fixture. Avoid covering LED fixtures with insulation, foam, or other material that will prevent convection or conduction cooling.
- ✓ Unless individual product specifications deem otherwise: Do not exceed fixtures maximum ambient temperature.
- ✓ Only use fixture in its intended location.
- ✓ LED products are Polarity Sensitive. Ensure proper Polarity before installation.
- ✓ Electrostatic Discharge (ESD): ESD can damage LED fixtures. Personal grounding equipment must be worn during all installation or servicing of the unit.
- ✓ Do not touch individual electrical components as this can cause ESD, shorten lamp life, or alter performance.
- ✓ Some components inside the fixture may not be serviceable. In the unlikely event your unit may require service, stop using the unit immediately and contact an ABL representative for assistance.
- ✓ Always read the fixtures complete installation instructions prior to installation for any additional fixture specific warnings.

Please see product specific installation instructions for additional warnings or any applicable FCC or other regulatory statements.

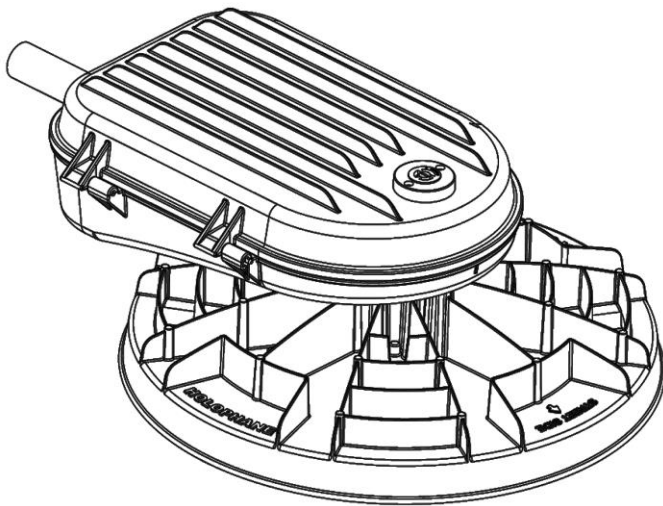
Failure to follow any of these instructions could void product warranties. For a complete listing of product Terms and Conditions, please visit www.acuitybrands.com.

Our Brands	Indoor/Outdoor Lithonia Lighting Carandini Holophane RELOC	Indoor Lighting Gotham Mark Architectural Lighting Peerless Renaissance Lighting Winona Lighting	Outdoor Lighting American Electric Lighting Antique Street Lamps Hydrel Tersen	Controls DARK TO LIGHT Lighting Control & Design ROAM Sensor Switch Synergy
-------------------	---	--	---	---

Acuity Brands Lighting, Inc. assumes no responsibility for claims arising out of improper or careless installation or handling of its products.

ABL LED General Warnings, Form No. 503.203

© 2011 Acuity Brands Lighting, Inc. All rights reserved. 3/15/11

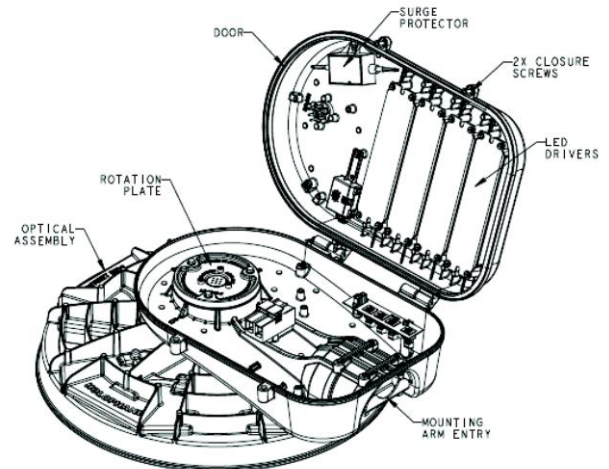


GR2355

2.2 Luminaire Installation.

2.2.1 The Door assembly is shipped unattached to the Optical Assembly to aid the installer. Disconnect all power to the unit before beginning the installation. Holophane recommends that this be a two person operation. Attach the Optical assembly to the horizontal mounting arm (1-1/4" nominal pipe (1.50" OD) or 2" nominal pipe (2.375" OD)). Route electrical supply wires from end of mounting arm through cutout in gasket in the mounting arm entry. Level the assembly across top of housing. Tighten four mounting arm entry bracket bolts (15-20 ft. lbs.). See Figure 1.

Figure 1



GR-2356

1 INTRODUCTION

1.1 Product Description

The HMAO™ LED III luminaire has been listed to applicable U.S. & Canadian safety standards by Underwriters Laboratories Inc. It is suitable for use in wet locations and ambient temperatures up to 40°C.

This device complies with Part 15 of the FCC Rules. Operation is subject to the following two conditions: (1) this device may not cause harmful interference, and (2) this device must accept any interference received, including interference that may cause undesired operation.

- The LED driver/door assembly can be detached for repair by removing two screws, one cotter pin, and unplugging electrical connectors.
- The Optical Assembly can be rotated to assist with aiming the lighting distributions.

1.2 Alternate Information Sources. If additional questions arise relative to these luminaires that this document or your supplier cannot answer, please refer them to:

Holophane
Field Service Department
P.O. Box 3004
Newark, OH 43058-3004
(740) 345-9631

2 INSTALLATION

2.1 Tools and Materials Required.

DESCRIPTION	USE
9/16" Hex Socket	Mounting Bolts
Flat-end screwdriver	Terminal Block/Clamp Band
3/8" Nut Driver/Socket	Closure Screws
7/16" Deep Socket	Optical Rotation Nuts (Asymmetric version)
Torque Wrench	Mounting Bolts/Closure screws/Optical Rotation Screws
Philips screw driver	Photo control Receptacle

2.2.2 Connect wires to terminal block in wiring chamber.

NOTE

Fusible Disconnect Option: With factory installed fusible disconnect for 120 volt, 240 and 277 volt line-to-neutral system, fuse only line side and connect line side incoming lead to fusible disconnect. Then attach white lead to incoming neutral lead using supplied wire nut. For 208 volt and 240 volt line-to-line and 480 volt, fuse both line sides and connect both incoming leads to fusible disconnect.
Fuse Kit Accessory: When in-line fusing is specified, see fuse kit instruction sheet.

WARNING

DO NOT FUSE THE GROUNDING CONDUCTOR. FAILURE TO FOLLOW THIS WARNING MAY RESULT IN DEATH OR INJURY.

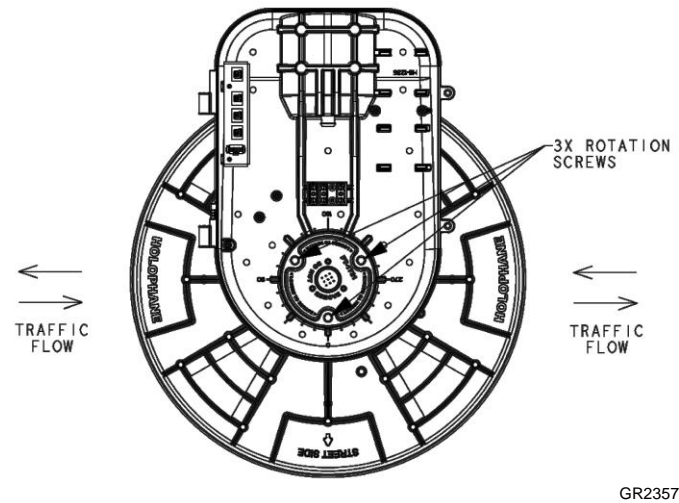
2.2.3 Attach the door to the Optical Assembly. Remove the cotter pin temporarily. Insert the door hinge pins into the housing hinge holes and replace cotter pin into the door hinge pin.

2.2.4 Make electrical connections to driver door assembly by joining color-coded plugs and connectors.

2.2.5 Optic Orientation: The HMAO™LED III Luminaire with N, M, or F optics produces a non-symmetric distribution. Care must be taken when orienting these light patterns. See Figure 2.

- 2.2.5.1** With the door open or removed, loosen the three rotation screws one to two turns.
- 2.2.5.2** Rotate the optical assembly to the correct orientation. Ensure the wires are not excessively strained during the rotation. Markings on optical assembly indicate traffic flow direction. See Fig. 2.
- 2.2.5.3** Fully tighten (70-75 inch lbs) the three rotation screws to ensure the optical assembly is unable to rotate.

Figure 2



2.2.6 Close the driver door and secure the door to the housing using two closure screws. Tighten evenly and securely (70-75 inch lbs).

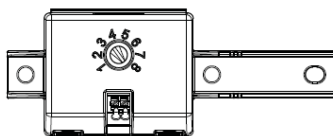
CAUTION

VERIFY THAT NO WIRES ARE PINCHED BETWEEN THE DOOR AND HOUSING.

2.2.7 PHOTOCONTROL OPTION: (Skip to next step if unit does not have a photocontrol receptacle.) Locate the photocontrol receptacle on the top of the unit. Orient the arrow in a northerly direction by loosening the two screws and rotating the receptacle in the preferred orientation. Tighten the two screws (20-25 inch lbs). Install a NEMA twist-on type photo control into the receptacle.

2.2.8 ADJUSTABLE OUTPUT (AO) OPTION: (Skip to next step if unit does not have a AO module.) See Figure 3. The Adjustable Output (AO) module (is an onboard device that adjusts the light output and input wattage to meet site specific requirements allowing a single fixture to configuration to be flexibly applied in many different applications. Use a small flat screw driver and rotate the adjustment screw as required. (Position 8 = full output. Position 1 is minimum output)

Figure 3



2.2.9 Electrically energize the unit and check for proper operation.

3 MAINTENANCE

3.1 Cleaning of Luminaire

3.1.1 Wipe off exterior dirt and debris using a soft clean cloth. A mild detergent and water may be used if necessary.

CAUTION

DO NOT USE ABRASIVE CLEANERS ON OPTICAL SURFACES. THEIR USE MAY RESULT IN THE LOSS OF OPTICAL EFFICIENCY.

3.2 Electrical Component Replacement

3.2.1 Disconnect power to the unit prior to opening and performing any maintenance.

3.2.2 Surge Protector Replacement: See Figure 1. Open the door and locate the surge protector on the door. Mark the wiring to assist when installing the new device. Disconnect the surge protector via the wiring connectors. Remove the screw holding the surge protector in place and retain. Carefully remove the surge protector and install the new Holophane approved surge protector in the same orientation with the original screw. Re-connect the surge protector wires to the wiring connectors as marked during the disassembly process.

3.2.3 LED Driver Replacement: See Figure 1. Open the door and locate the drivers on the door. Before removing components, disconnect driver input and output leads nearest the driver via the quick disconnects. Remove the (4) driver screws to remove the driver from the electrical door; retain screws for reuse. Install new Holophane approved driver and tighten screws securely. Reconnect all driver input and output leads

3.2.4 Electrically energize the unit and check for proper operation.

4 Limited Warranty and Limitation of Liability

Warranty Five-year limited warranty. Full warranty terms located at www.acuitybrands.com/CustomerResources/Terms_and_conditions.aspx

Product specifications may change without notice. Please contact your sales representative for the latest product information



Acuity Lighting Group, Inc.
214 Oakwood Ave., Newark, OH 43055
IM-385-A 1/15 ©2015 Acuity Brands Inc.
Visit our web site at www.holophane.com