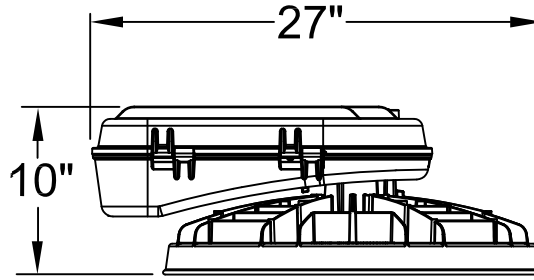
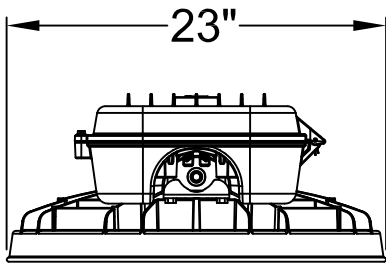
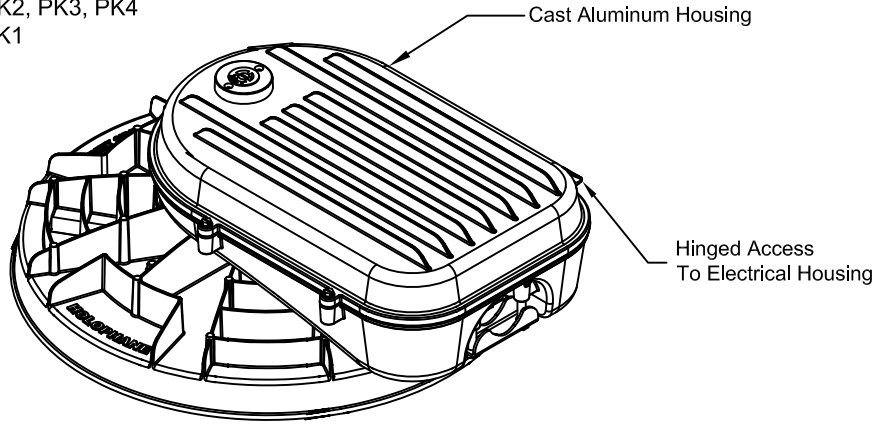


Weight = 52lbs
 EPA =1.30 sq. ft
 UL1598, 40C, Wet location PK2, PK3, PK4
 UL1598, 50C, Wet location PK1



HMLE3™ LED High Mast Lighting

Infrastructure
Specialty



HMLE3			
Series	Number of LED Modules	Color Temperature	Voltage
HMLE3	PK1 = 31,000 Lumens PK2 = 42,000 Lumens PK3 = 63,000 Lumens PK4 = 85,000 Lumens	30K = 3,000K CCT +/-250K 40K = 4,000K CCT +/-250K 50K = 5,000K CCT +/-250K	MVOLT = Auto-Sensing Voltage (120 - 277 V) HVOLT = Auto-Sensing Voltage (347 - 480 V)

Housing Color	Optical	Options	Accessories
A = As Specified G = Gray H = Graphite K = Black Z = Bronze W = White	LN= Long and Narrow M = Medium, Asymmetric N= Narrow, Asymmetric F = Forward Throw, Asymmetric AN = Area Narrow AW = Area Wide	AO = Field Adjustable Output DM = 0-10v Dimming FD1 = Single Fusible Disconnect FD2 = Double Fusible Disconnect P3 = 3 Pin NEMA Receptacle P7 = 7 Pin NEMA Receptacle PCSS = DTL Solid-State Lighting Photocontrol 120-277V PCL1 = DTL DLL Photocontrol for 120-277V PCL3 = DTL Twist-off Photocontrol for 347V PCL4 = DTL Twist-off Photocontrol for 480V PSC = Shorting Cap 50C = PK2/PK3 Only, Drive current reduced to provide 95% light output with surge rating 10 kV/5kA for this option only.	HMLEDF1FUS10R= Single Fusing HMLEDF2FUS10R= Double Fusing HMLE3D90 = 90 Degree Shield HMLE3D120 = 120 Degree Shield HMLE3D180 = 180 Degree Shield

ORDERING INFORMATION:

THIS DRAWING, WHEN APPROVED, SHALL BECOME THE COMPLETE SPECIFICATION FOR THE MATERIAL TO BE FURNISHED BY HOLOPHANE ON THE ORDER NOTED ABOVE. A UNIT OF SIMILAR DESIGN MAY BE SUBSTITUTED FOR THE UNIT ORDERED WITHOUT NOTICE. HOLOPHANE WILL BE SUPPLIED WITH EACH ANCHOR BOLT ORDER TO MATCH THE POLE LOANED SUBJECT TO RETURN UPON DEMAND AND UPON EXPRESS WRITTEN AGREEMENT TO OUR INTERESTS, AND ONLY IN CONNECTION WITH MATERIAL FURNISHED BY HOLOPHANE.

ORDER #:	
TYPE:	
DRAWN:	BGW
DATE:	10/2/18
DWG #:	LUM_HMLE3